

Type:
Cat. #: WM-3.5C

## 12 VOLT

### WM3.5C “San Clemente”

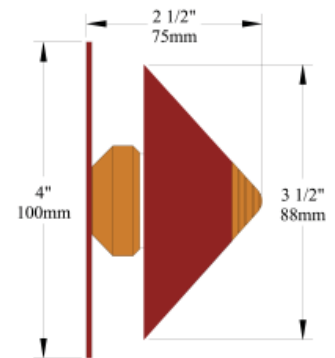
The San Clemente is a small sconce with a range of applications. A single luminaire will add enough soft glow to illuminate a circulation path, or provide security lighting to a dark corner. Groupings of several luminaires can be used to define an entry or add a decorative element to an otherwise plain façade. The San Clemente exemplifies Auroralight quality design, materials, and construction. Crafted from solid brass, copper and stainless steel, sealed with a pure silicone o-ring, the San Clemente sconce is truly engineered to last a lifetime. Backed by Auroralight’s lifetime warranty, which protects the luminaire even from accidental damage. ADA compliant.

12 volt 10 watt 4,000 hour halogen lamp, high density EPDM gasket, and mounting hardware are included.



## 12 VOLT

REMOTE TRANSFORMER REQUIRED



### ORDERING GUIDE: WM-3.5C

WM (Wall Mount) 3.5 (3.5”, 88mm) C (Cone)

#### Lamp Options

- [20] 20W TUNGSTEN HALOGEN (4,000 hr) 350 lm
- [10] 10W TUNGSTEN HALOGEN (4,000 hr) 140 lm
- [5] 5W TUNGSTEN HALOGEN (2,000 hr) 60 lm
- [20X] 20W XENON (5,000 hr) 200 lm
- [15X] 15W XENON (10,000 hr) 150 lm
- [10X] 10W XENON (10,000 hr) 100 lm

SHIPS WITH STANDARD 10W TUNGSTEN HALOGEN

#### Mounting Options

4” DIAMETER BACKPLATE  
MOUNTS TO STANDARD 3”  
ROUND JUNCTION BOX

#### Finial Options

[BR] BRASS  
[CU] COPPER

#### Finishes

STANDARD  
[NAT] NATURAL  
COPPER & BRASS

OPTIONAL  
[BLP] BRONZE  
“LIVING” PATINA  
[NI] BRUSHED  
NICKEL PVD  
[PC] POWDER COAT  
See Finishes page under  
“Finishes” tab.