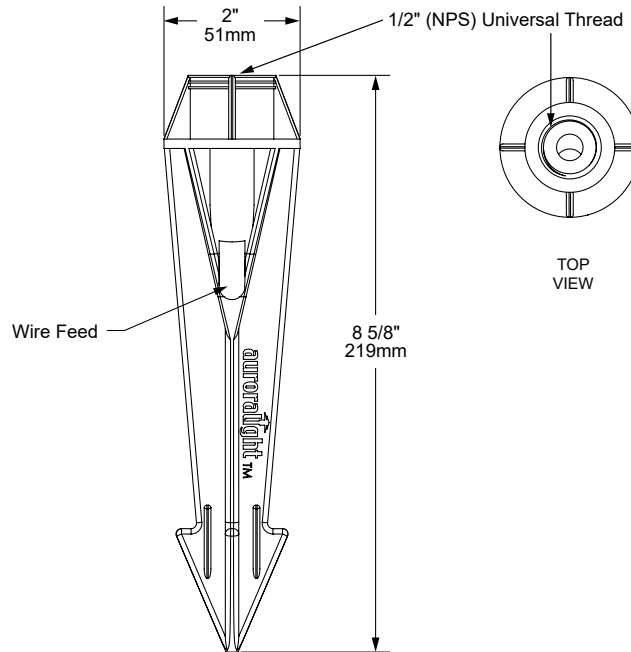
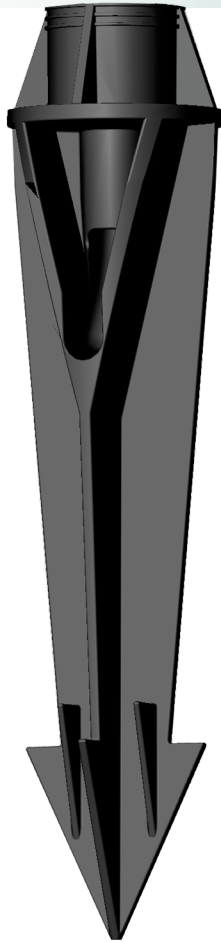


1GS GROUND STAKE

The **1GS Ground Stake** is part of the most comprehensive mount offering available. It is molded from solid ABS and utilizes a STANDARD: 1/2" (NPS) Universal Thread to work with many fixture brands. The 1GS is Built with reinforced flanges for maximum durability; the exclusive wire feed channel speeds installation by guiding wire to exit out the side.



ORDERING GUIDE: ^{Prefix} **1GS** 1 (SERIES) G (GROUND) S (STAKE)

□ INDICATES REQUIRED FIELD ▤ INDICATES OPTIONAL FIELD

1GS