



## HWL11-LM LIGHTHAUS

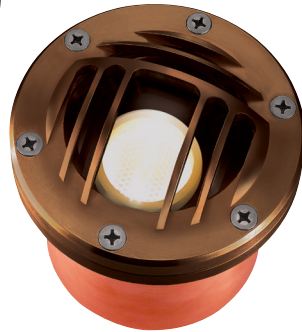
The compact **HWL11-LM Lighthouse** is engineered around Auroralight's interchangeable LED module to deliver brilliant LED performance in a small package. Featuring significantly increased aiming capability allowing a full 45° of tilt onto the horizon with 360° of rotation. It has the ability to regress the light source 2" below the lens for increased glare control and visual comfort.

**Features include:**

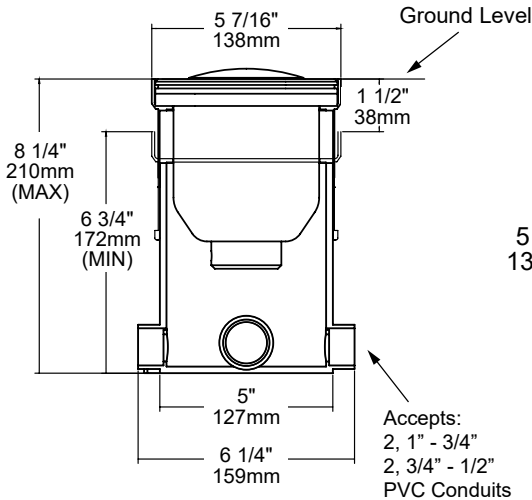
- Interchangeable LED Module in 2, 4 or 6 Watts up to 370 Lumens
- Cree LED™ XLAMP® High Intensity (XP-L)
- Interchangeable UV Resistant, Self-Aligning and Self-Sealing Silicone (TIR) Optics (U.S. Patent No. 10,655,799) from 15° to 60°
- 2700K (80 & 90 CRI), 3000K (80 CRI), or 4500K (80 CRI)
- Thermally Integrated® w/ Copper Core Technology®
- 12V Integral Constant Current Driver (Remote 12V AC/DC Transformer Required)
- Dimmable to <10% (TRIAC/Forward Phase) via Compatible Transformer
- Compatible w/ 12V AC/DC MLV or ELV Transformers
- Drive-over Rated up to 6,000 lbs.
- Solid Copper Body with Brass Faceplate and Stainless Steel Hardware



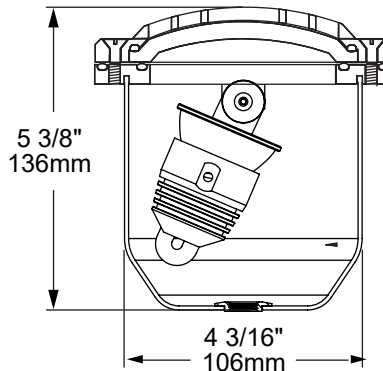
HWL11-LM-G-NAT



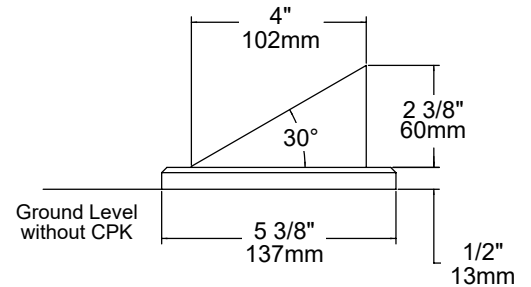
HWL11-LM-G-BLP



[FC] Flush w/ Convex Glass w/ Optional [CPK]



[G] Grill



[GB] Glare Bezel (Optional)

### COPPER CORE TECHNOLOGY®

Copper Core® is a registered trademark of Auroralight. It is synonymous with the mark of quality and integrity. It means that our products are built upon a superior foundation of Solid Copper, ensuring every critical part functions seamlessly together Thermally integrated® one component to the next. Auroralight manufactured without compromise, engineered with passion, in the USA.

### FACEPLATE OPTIONS



Grill



Flush



12V



HERMALLY INTEGRATED  
CREE LED  
POWERED



**SEE NEXT PAGE FOR ORDERING INFORMATION**



## HWL11-LM LIGHTHAUS

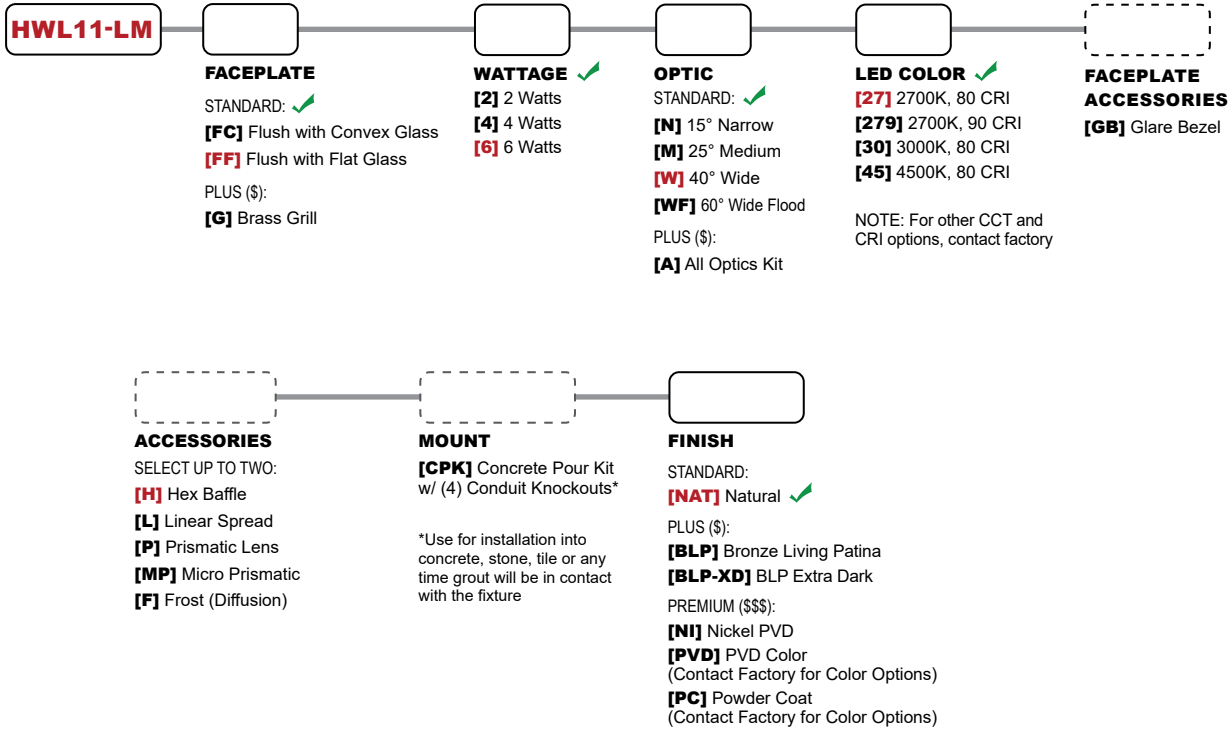


Prefix

**ORDERING GUIDE:** **HWL11-LM** H (HIGH PERFORMANCE) WL (WELL LIGHT) 11 (SERIES) L (LIGHT) M (MODULE)

INDICATES REQUIRED FIELD     INDICATES OPTIONAL FIELD     INCLUDED IN BASE PRICE    [ \_ ] QUICK SPEC (See Below)

**QUICK SPEC SKU**    **HWL11-LM-FF-6-W-27-H-NAT**

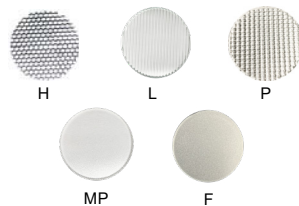


**FACEPLATE ACCESSORIES**



GB

**ACCESSORIES**



H

L

P

MP

F

**MOUNT**



CPK




# HWL11-LM LIGHTHAUS


## PHOTOMETRIC OVERVIEW

Information based on 6 Watts 2700K. To download more in-depth IES photometric data, visit [auroralight.com/product/hwl11-lm-lighthouse/](http://auroralight.com/product/hwl11-lm-lighthouse/)

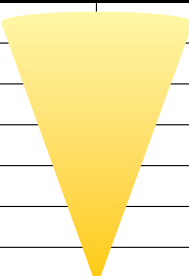
6 Watts 2700K 15° (NARROW) 349.7 LUMENS • CBCP 2928 AURORALIGHT HWL11-LM-6-N-27		
30 FT	3.25	8.58
26 FT	4.33	7.43
22 FT	6.05	6.29
18 FT	9.04	5.15
14 FT	14.9	4.00
10 FT	29.3	2.86
6 FT	81.3	1.72
Distance From Fixture	Footcandles	Beam Width



6 Watts 2700K 25° (MEDIUM) 369.3 LUMENS • CBCP 1591 AURORALIGHT HWL11-LM-6-M-27		
30 FT	1.74	13.2
26 FT	2.32	11.4
22 FT	3.23	9.67
18 FT	4.83	7.91
14 FT	7.99	6.16
10 FT	15.7	4.40
6 FT	43.5	2.64
Distance From Fixture	Footcandles	Beam Width



6 Watts 2700K 40° (WIDE) 297.0 LUMENS • CBCP 996 AURORALIGHT HWL11-LM-6-W-27		
30 FT	1.10	14.9
26 FT	1.47	12.9
22 FT	2.05	10.9
18 FT	3.07	8.96
14 FT	5.07	6.97
10 FT	9.94	4.98
6 FT	27.6	2.99
Distance From Fixture	Footcandles	Beam Width



6 Watts 2700K 60° (WIDE FLOOD) 197.9 LUMENS • CBCP 440 AURORALIGHT HWL11-LM-6-WF-27		
30 FT	0.488	18.5
26 FT	0.650	16.0
22 FT	0.908	13.5
18 FT	1.36	11.1
14 FT	2.24	8.62
10 FT	4.40	6.15
6 FT	12.2	3.69
Distance From Fixture	Footcandles	Beam Width

