



## LDM3 COMPASS

The **LDM3 Compass** is based on the award-winning micro well light design. This high-quality LED luminaire is machined entirely from a Solid Brass bar and features durable silicone O-rings and grommets to ensure the fixture remains hermetically sealed under the most extreme conditions. It will provide subtle illumination on drives, walks, and pathways as an alternative to taller, more obvious fixtures.

**Features include:**

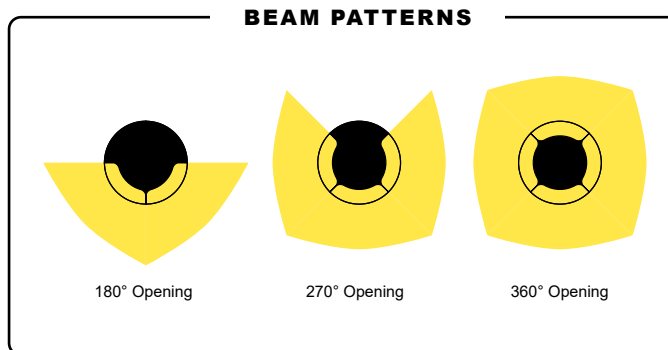
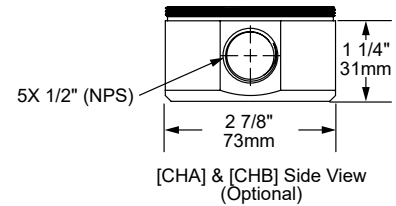
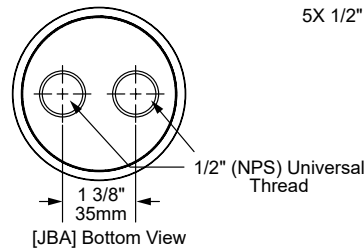
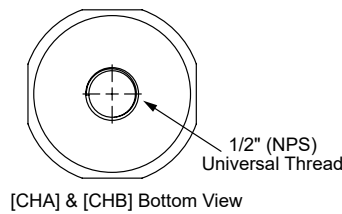
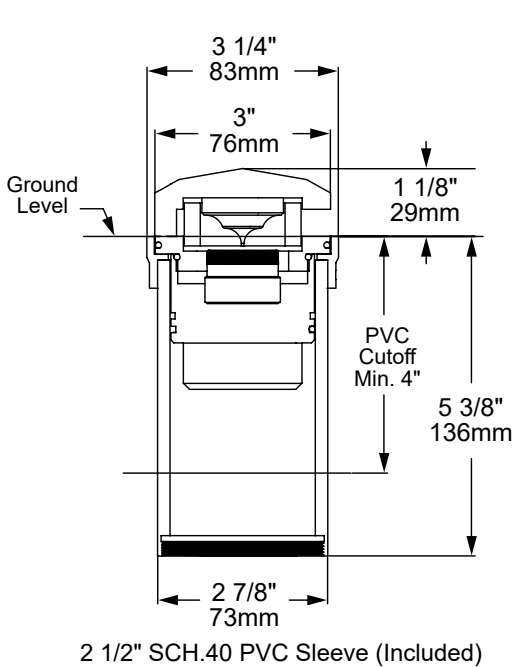
- 3 Watts up to 22 Lumens
- Cree LED™ XLAMP® (XP-L)
- 2700K (80 & 90 CRI), 3000K (80 CRI), 4000K (80 CRI), or Amber 585-595nm
- 12V Integral Constant Current Driver (Remote 12V AC/DC Transformer Required)
- Dimmable to <10% (TRIAC/Forward Phase) via Compatible Transformer
- Compatible w/ 12V AC/DC MLV or ELV Transformers
- Solid Brass Construction



LDM3-180-NAT  
Shown w/ [JBA]



LDM3-180-BLP  
Shown w/ [JBA]



- 12V
- THERMALLY INTEGRATED
- CREE LED POWERED
- DRIVE-OVER RATED
- IP67

**SEE NEXT PAGE FOR ORDERING INFORMATION**



## LDM3 COMPASS

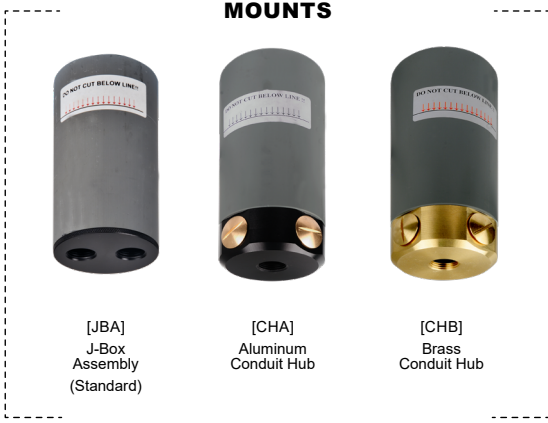


**ORDERING GUIDE:** <sup>Prefix</sup> **LDM3** L (LED) DM (DIRECTIONAL MARKER) 3 (SERIES)

□ INDICATES REQUIRED FIELD    □ INDICATES OPTIONAL FIELD    ✓ INCLUDED IN BASE PRICE    [ \_ ] QUICK SPEC (See Below)

**QUICK SPEC SKU**    **LDM3-180-27-C-JBA-NAT**

<b>LDM3</b>					
<b>BEAM PATTERN</b> ✓	<b>LED COLOR</b> ✓	<b>LENS</b> ✓	<b>MOUNT</b>	<b>FINISH</b>	
[180] 180° Opening [270] 270° Opening [360] 360° Opening	[27] 2700K, 80 CRI [279] 2700K, 90 CRI [30] 3000K, 80 CRI [40] 4000K, 80 CRI [AMB] Amber (585-595 nm)	[F] Frosted [C] Clear	[JBA] 3" dia. J-Box Assembly ✓ w/ Aluminum Back Plate and (2) ½" Rear Knockouts [CHA] 3" dia. Conduit Hub, Aluminum w/ (4) ½" Side and (1) ½" Rear Knockout [CHB] 3" dia. Conduit Hub, Brass w/ (4) ½" Side and (1) ½" Rear Knockout	STANDARD: [NAT] Natural ✓  PLUS (\$): [BLP] Bronze Living Patina [BLP-XD] BLP Extra Dark  PREMIUM (\$\$\$): [NI] Nickel PVD [BG] Black Gloss PVD [BS] Black Satin PVD [BZ] Bronze PVD [BZ-XD] Dark Bronze PVD [PC] Powder Coat Custom Color (Contact Factory for Color Options)	
NOTE: For other CCT and CRI options, contact factory					



# LDM3 COMPASS

## PHOTOMETRIC OVERVIEW

Information based on 3000K. To download more in-depth IES photometric data, visit [auroralight.com/product/lm3-compass/](http://auroralight.com/product/lm3-compass/)

<b>3000K 180° BEAM PATTERN</b> <b>17.36 LUMENS • CBCP 9 • BUG B0 U1 G0</b> AURORALIGHT LDM3-180-30		
30 FT	0.00000145	994
26 FT	0.00000193	861
22 FT	0.00000270	729
18 FT	0.00000403	596
14 FT	0.00000666	464
10 FT	0.0000130	331
6 FT	0.0000362	199
<b>Distance From Fixture</b>	<b>Footcandles</b>	<b>Beam Width</b>

