



LML250-C8-GTL-ACS CYRANOS

The compact **LML250 Cyranos** pendant paired with our exclusive Aurora Catenary System (ACS) is the perfect selection to illuminate plazas, courtyards, and intimate patio areas beautifully. The LML250 is part of the Encore collection, a consummate family of pendants, bollards, and wall sconces.

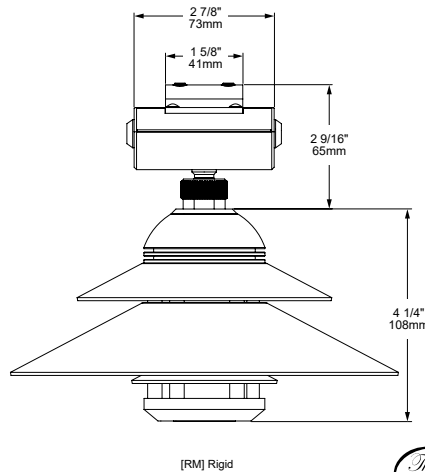
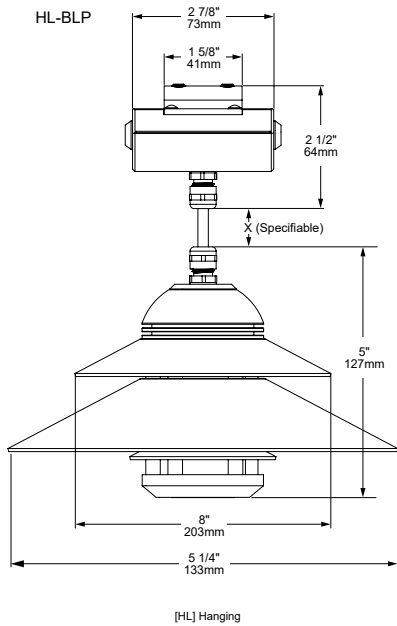


Fixture features include:

- 8 Watts up to 192 Lumens
- 2700K (80 CRI) or 3000K (80 CRI)
- Cree LED™ XLAMP® Extreme High Power (XHP)
- Thermally Integrated® and Field Serviceable
- Dimmable to <10% Triac/Forward Phase) via compatible Transformer
- Compatible w/ 12V AC/DC ELV or MLV Transformers
- Solid Brass & Copper Construction
- Also available with Non-Catenary Hanging and Rigid mount options (See LML250-C8-RM and LML250-C8-HL)

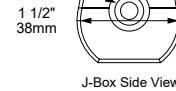
Catenary features include:

- Pre-assembled System for Easy Installation
- Catenary Cable up to 1/4" dia. accepted (by other)
- Rigid Mount utilizes Swivel-Pro™ allowing up to 15° of cable swag
- Cable Brake System™ prevents luminaire slippage
- Solid C3600 Billet Brass J-Box
- UL Approved system



Accepts 1/8", 3/16" or 1/4" cable. (Cable and Engineering by Others)

Outdoor Rated Cable. (by Auroralight)



[HL.] Hanging

[RM] Rigid

The Echo
COLLECTION

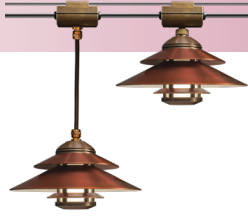
The Echo Collection™ from Auroralight are configurable and scale-able, Wall Sconce, Pendant and Bollard luminaires. This all-encompassing line of products was designed to complement one another while also providing the level customization everyone has come to expect from Auroralight.

DOWNLOAD OUR ACS DESIGN GUIDE TO START BUILDING YOURS TODAY

SEE NEXT PAGE FOR ORDERING INFORMATION



LML250-C8-GTL-ACS CYRANOS



Prefix

ORDERING GUIDE: **LML250-C8-GTL-ACS** L (LED) ML (MOONLIGHTER) 250 (SERIES) C (CONICAL) 8 (INCHES) GTL (GLIMMER TOP W/ LOUVER) ACS (AURORA CATENARY SYSTEM)

INDICATES REQUIRED FIELD INDICATES OPTIONAL FIELD INCLUDED IN BASE PRICE [_] QUICK SPEC (See Below)

QUICK SPEC SKU **LML250-C8-GTL-ACS-27-HL-NAT**

LML250-C8-GTL-ACS

LED COLOR ✓
[27] 2700K, 80 CRI
[30] 3000K, 80 CRI

NOTE: For other CCT and CRI options, contact factory

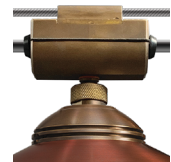
MOUNT ✓
[HL] Hanging
[RM] Rigid

FINISH
 STANDARD:
[NAT] Natural ✓
 PLUS (\$):
[BLP] Bronze Living Patina
[BLP-XD] BLP Extra Dark
 PREMIUM (\$\$\$):
[NI] Nickel PVD
[BG] Black Gloss PVD
[BS] Black Satin PVD
[BZ] Bronze PVD
[BZ-XD] Dark Bronze PVD

MOUNT OPTIONS



HL



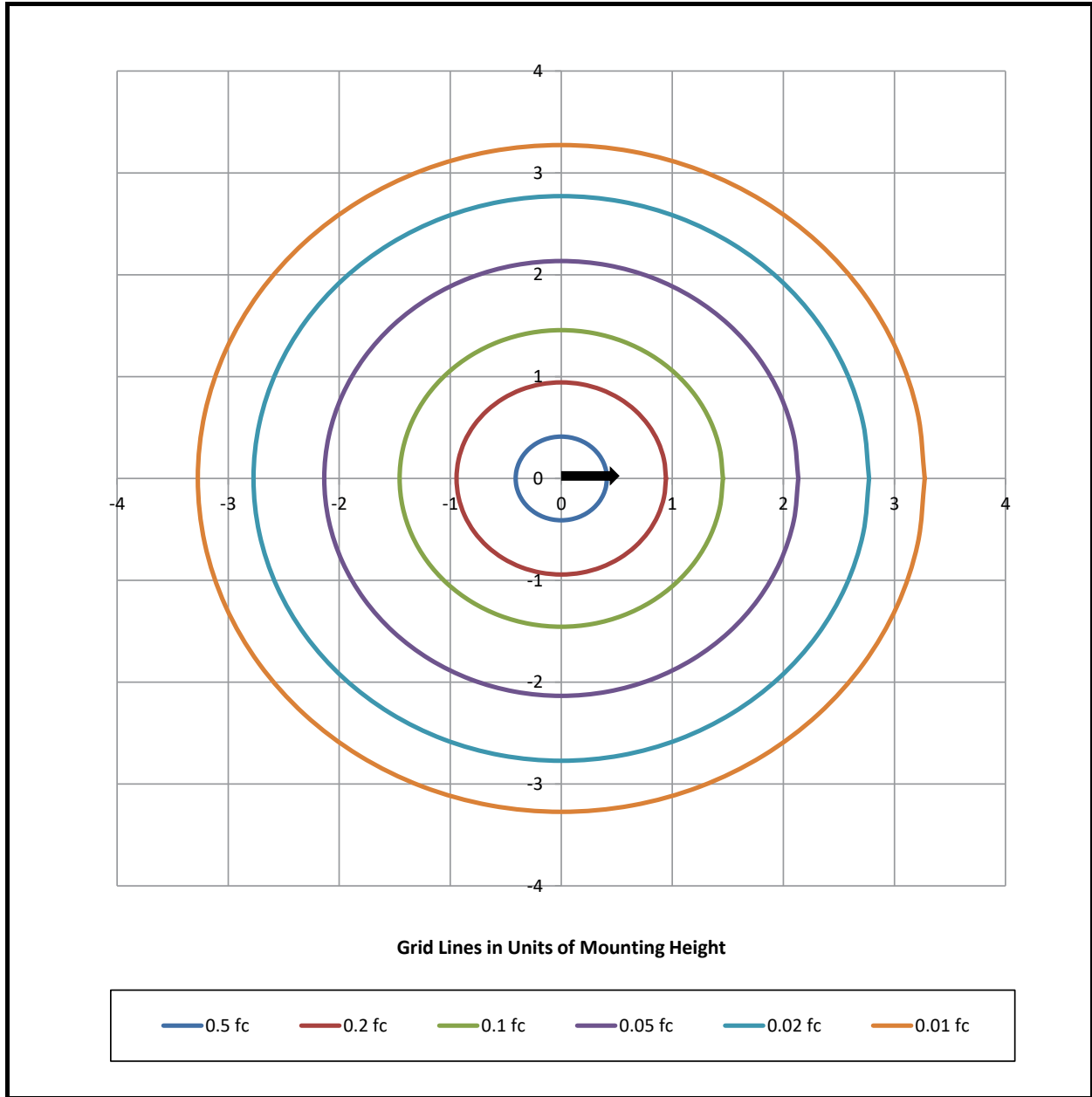
RM

LML250-C8-GTL-ACS CYRANOS

PHOTOMETRIC OVERVIEW

To download more in-depth IES photometric data, visit auroralight.com/product/lml250-c8-gtl-acs-cyranos/

Mounting Height - 8 Feet



BUG Rating B0 U1 G0