



LML250-S5-GTL EQUINOX

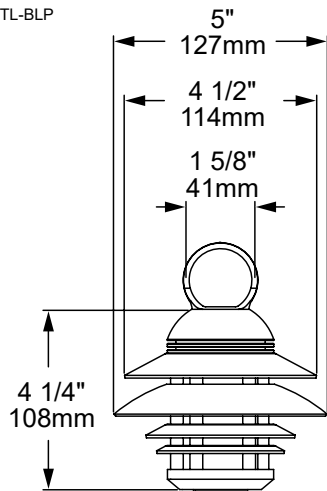
The **LML250** Moonlighter series of LED pendant luminaires is the latest addition to our growing line of innovative and exquisite down lighting. This series is available in three elegant shade designs with three progressive sizes intended to complement our new state-of-the-art LBD Bollard series and LWM series wall sconces. This estate-quality luminaire is ideal for creating ambient mood lighting in intimate outdoor spaces.



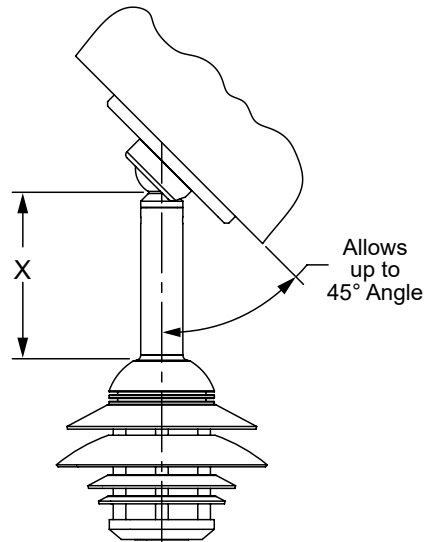
LML250-S5-GTL-BLP

Features include:

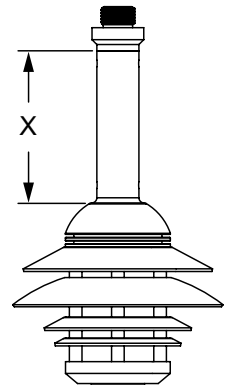
- 8 Watts up to 244 Lumens
- Cree LED™ XLAMP® Extreme High Power (XHP)
- 2700K (80 CRI) or 3000K (80 CRI)
- Thermally Integrated® and Field Serviceable LED Module
- 12V Integral Driver, Dimmable to <10% typ.
- Compatible w/ 12V AC/DC ELV or MLV Transformers
- Solid Copper and Brass Construction



Chain Configuration



Rigid Mount w/ optional SW4



Rigid Mount

The Echo COLLECTION

The Echo Collection™ from Auroralight are configurable and scale-able, Wall Sconce, Pendant and Bollard luminaires. This all-encompassing line of products was designed to complement one another while also providing the level customization everyone has come to expect from Auroralight.

COPPER CORE TECHNOLOGY®

Copper Core® is a registered trademark of Auroralight. It is synonymous with the mark of quality and integrity. It means that our products are built upon a superior foundation of Solid Copper, ensuring every critical part functions seamlessly together Thermally integrated® one component to the next. Auroralight manufactured without compromise, engineered with passion, in the USA.



12V



SEE NEXT PAGE FOR ORDERING INFORMATION

LML250-S5-GTL EQUINOX



Prefix

ORDERING GUIDE: **LML250-S5-GTL** L (LED) ML (MOONLIGHTER) 250 (SERIES) S (SPHERICAL) 5 (INCHES) GTL (GLIMMER TOP W/ LOUVER)

INDICATES REQUIRED FIELD INDICATES OPTIONAL FIELD INCLUDED IN BASE PRICE [_] QUICK SPEC (See Below)

QUICK SPEC SKU **LML250-S5-GTL-27-C18-SB-NAT**

LML250-S5-GTL

LED COLOR

[27] 2700K, 80 CRI
[30] 3000K, 80 CRI

NOTE: For other CCT and CRI options, contact factory

MOUNT

[C18] 18" Solid Brass Chain
[C36] 36" Solid Brass Chain
[RM-X] Rigid Mount (Specify **4, 6, 8** or **10"**)

[X] = Specify Length

Note: For custom lengths of chain or cord, contact factory. 1/2" (NPS) Universal Threaded Loop will be included with chain

CANOPY OPTIONS

NO CANOPY:

[NC] No Canopy

CANOPY:

[SB] 2 1/2" Brass Splice Box (Only Compatible with Chain)

[CP4] 4" Cover Plate

[CP45] 4 1/2" Cover Plate

[PC60] 4 1/2" Power Canopy (Inc. 60W 120-12V trans.)

SWIVEL CANOPY (RM ONLY):

[SW4] 4" Swivel Cover Plate

[PC60-SW4] Power Canopy w/ Swivel (Inc. 60W 120-12V trans.)

Add **-C** (for Copper) or **-B** (for Brass) to canopy part numbers above for Escutcheon Material.

FINISH

STANDARD:

[NAT] Natural

PLUS (\$):

[BLP] Bronze Living Patina

[BLP-XD] BLP Extra Dark

PREMIUM (\$\$\$):

[NI] Nickel PVD

[BG] Black Gloss PVD

[BS] Black Satin PVD

[BZ] Bronze PVD

[BZ-XD] Dark Bronze PVD

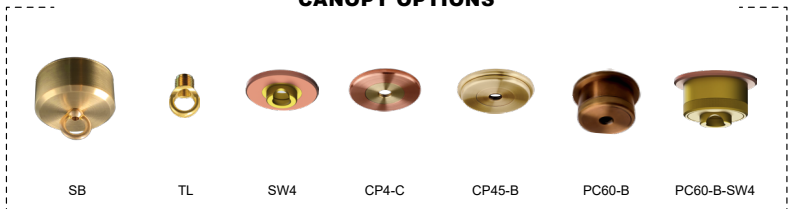
MOUNTS



C18 or C36 (shown w/ SB)

RM

CANOPY OPTIONS



SB

TL

SW4

CP4-C

CP45-B

PC60-B

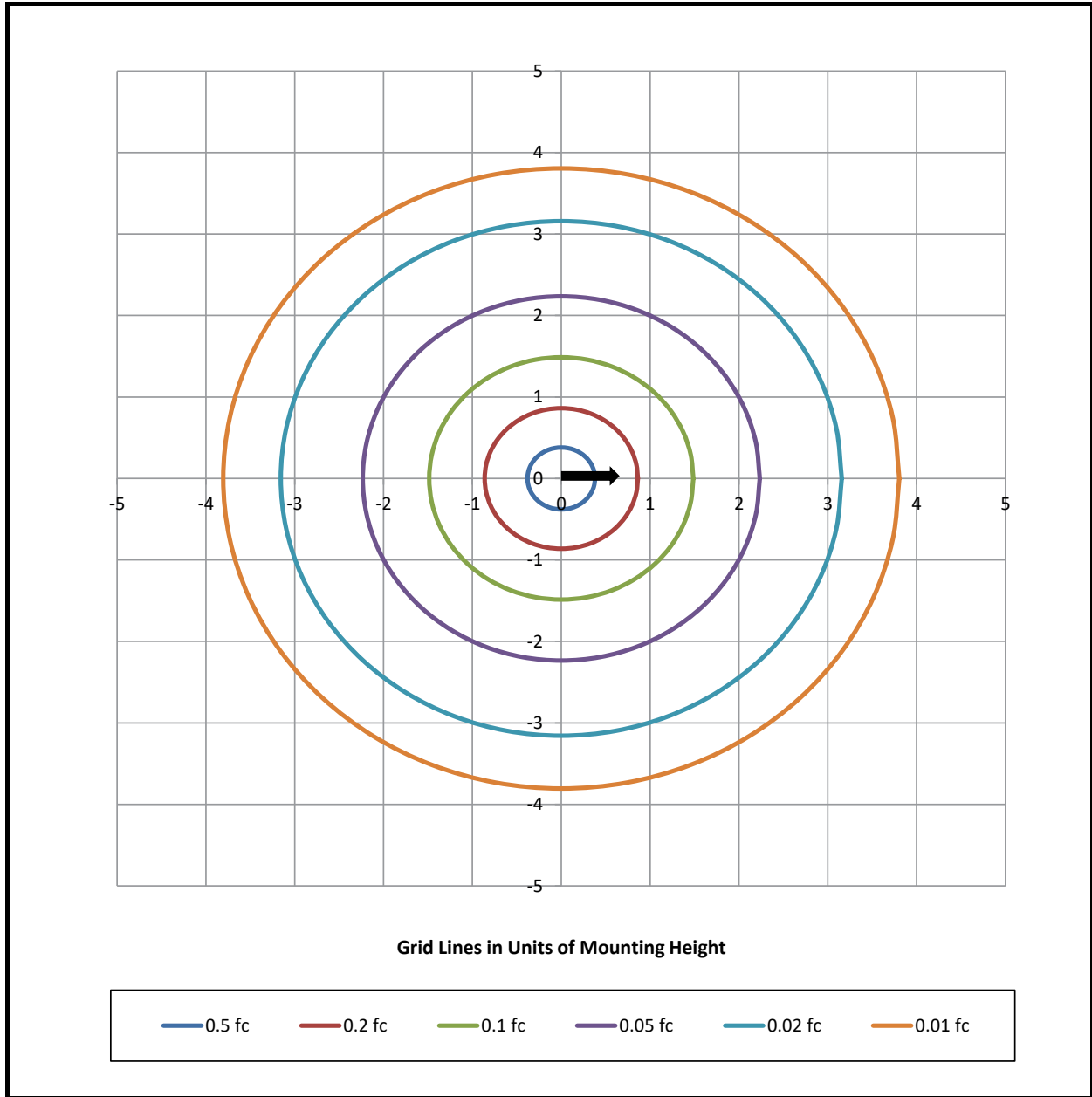
PC60-B-SW4

LML250-S5-GTL EQUINOX

PHOTOMETRIC OVERVIEW

To download more in-depth IES photometric data, visit auroralight.com/product/lml250-s5-gtl-equinox/

Mounting Height - 8 Feet



BUG Rating B0 U2 G1