

The **LPL5 Giza**, named after the City of Pyramids, features a bold upright posture with craftsmanship worthy of its pedigree. Protected inside is our exclusive Cree® powered Copper Core®, Thermally Integrated® LED light engine. By night, light exudes from under the heavy cast bronze louver delivering glare-free illumination. Giza: bold styling, superior materials, mechanical innovation; pure engineering-bliss

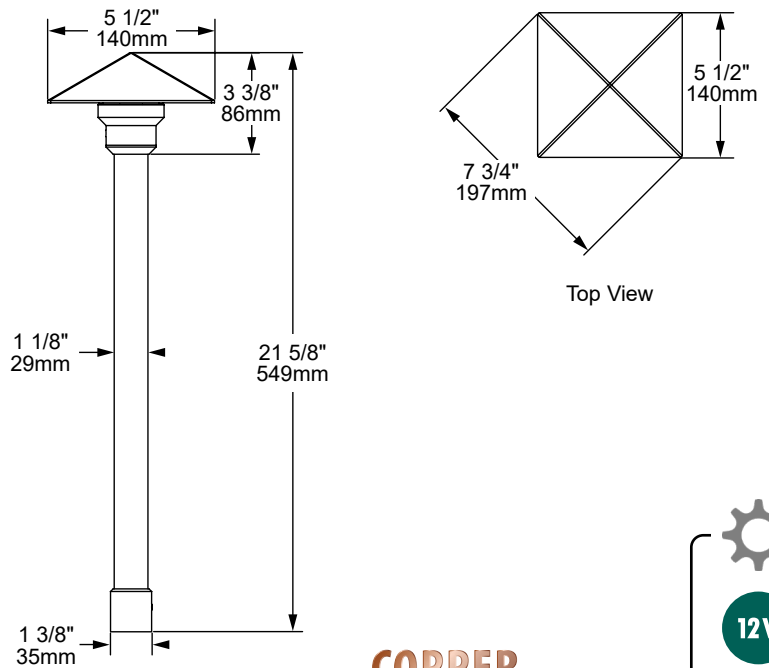
Features include:

- 6 Watts, up to 224 Lumens at 2700K
- Cree LED™ XPH® High Density
- Precision Machined Acrylic Optic
- 2700K (80 & 90 CRI), 3000K (80 CRI), 4500K (80 CRI) or Amber 585-595nm
- Thermally Integrated® w/ Copper Core Technology®
- 12V Integral Constant Current Driver AC or DC Input
- Dimmable to <10% (TRIAC/Forward Phase)
- Compatible w/ 12V AC/DC MLV or ELV Transformers
- Solid Copper and Brass Construction
- Contact Factory for Custom Height



LPL5-SQR-BLP

LPL5-SQR-NI



COPPER CORE TECHNOLOGY®

Copper Core® is a registered trademark of Auroralight. It is synonymous with the mark of quality and integrity. It means that our products are built upon a superior foundation of Solid Copper, ensuring every critical part functions seamlessly together Thermally integrated® one component to the next. Auroralight manufactured without compromise, engineered with passion, in the USA.

SEE NEXT PAGE FOR ORDERING INFORMATION

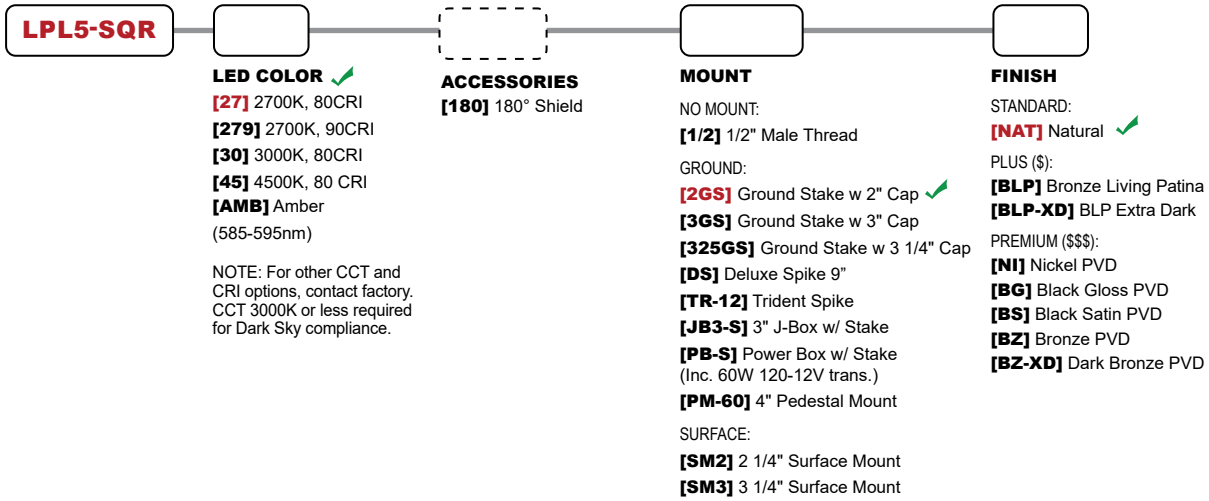


LPL5-SQR GIZA

ORDERING GUIDE: ^{Prefix} **LPL5-SQR** L (LED) PL (PATH LIGHT) 5 (INCHES) SQ (SQUARE) R (ROUND STEM)

INDICATES REQUIRED FIELD INDICATES OPTIONAL FIELD INCLUDED IN BASE PRICE [_] QUICK SPEC (See Below)

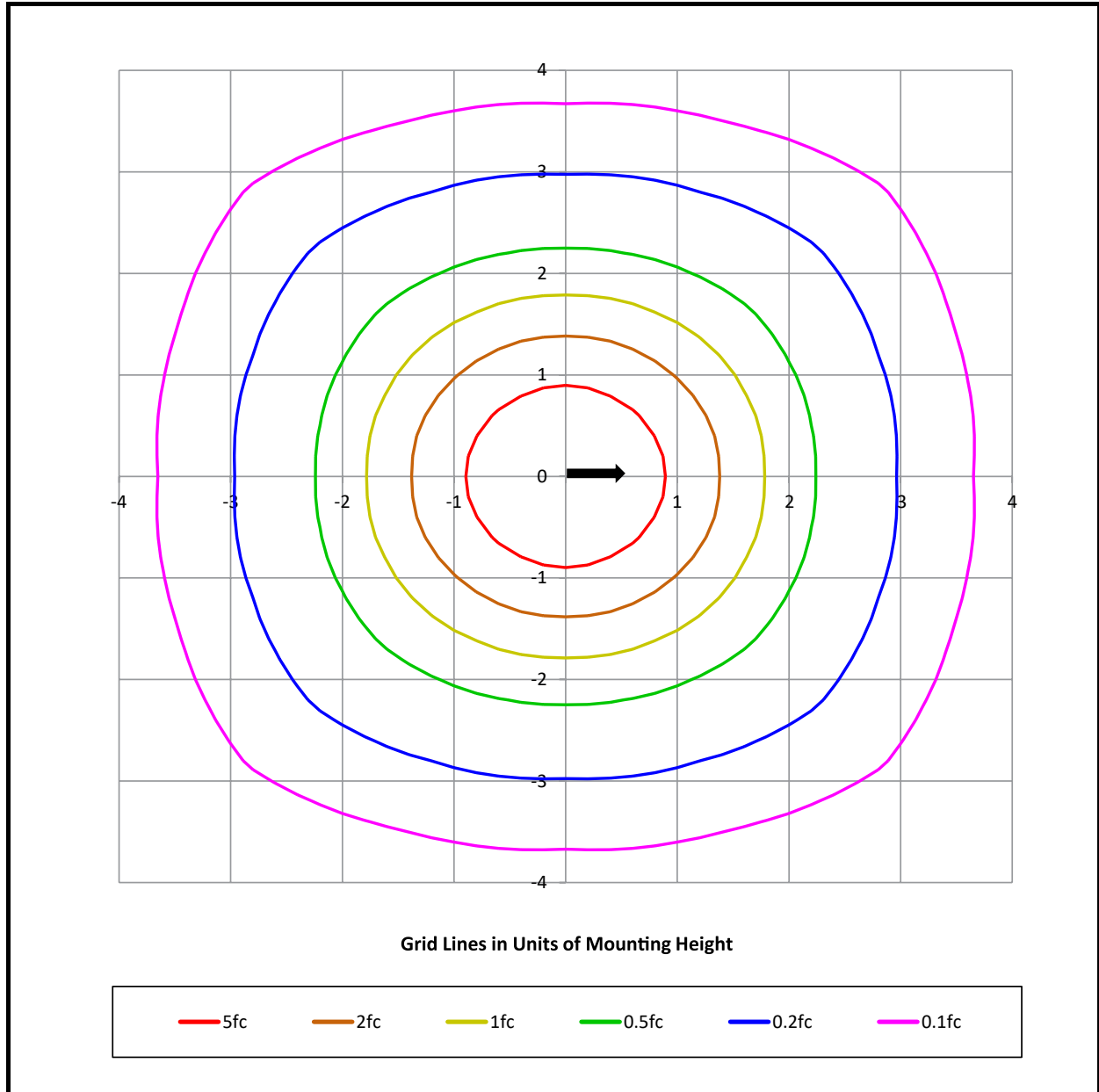
QUICK SPEC SKU **LPL5-SQR-27-2GS-NAT**



PHOTOMETRIC OVERVIEW

Information based on 6 Watts and 3000K. To download more in-depth IES photometric data, visit auroralight.com/product/lpl5-sqr-giza/

Mounting Height - 2 Feet



BUG Rating B0 U0 G0