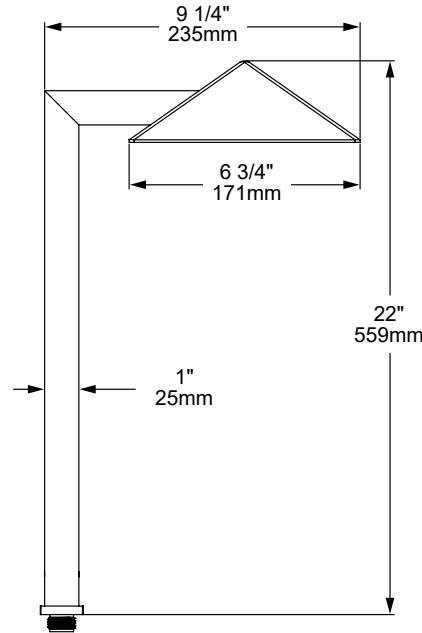


## LPL7-SQ QUADRANT

The **LPL7-SQ Quadrant** is a classic design re-engineered and manufactured to a quality and performance standard never before available. Featuring a heavy duty architectural brass stem ingeniously coupled to the robust die-cast brass hood with no visible hardware. Available in two distributions and wattages.

**Features include:**

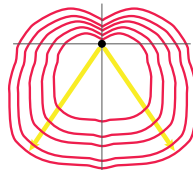
- 3 Watt Single LED or 7 Watt Triple LED
- Up to 258 Lumens at 3000K
- Cree LED™ XP-L® High Density (CRI 80 typ.)
- 2700K (80 & 90 CRI), 3000K (80 CRI), 4500K (80 CRI) or Amber 585-595nm
- Thermally Integrated® and Field Serviceable LED Module
- 12V Integral Driver, Dimmable to <10% typ.
- Compatible w/ 12V AC/DC ELV or MLV Transformers
- Solid Brass Construction
- Contact Factory for Custom Height



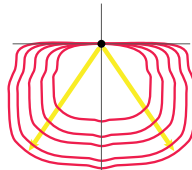
**LIGHT DISTRIBUTION CHOICES**



General Distribution  
3 Watts



Forward Distribution  
7W



Forward Distribution w/ [BS]  
7W

**COPPER CORE TECHNOLOGY®**

Copper Core® is a registered trademark of Auroralight. It is synonymous with the mark of quality and integrity. It means that our products are built upon a superior foundation of Solid Copper, ensuring every critical part functions seamlessly together Thermally integrated® one component to the next. Auroralight manufactured without compromise, engineered with passion, in the USA.

- 12V
- THERMALLY INTEGRATED
- CREE LED POWERED
- IDA DARK SKY APPROVED
- IP67

**SEE NEXT PAGE FOR ORDERING INFORMATION**

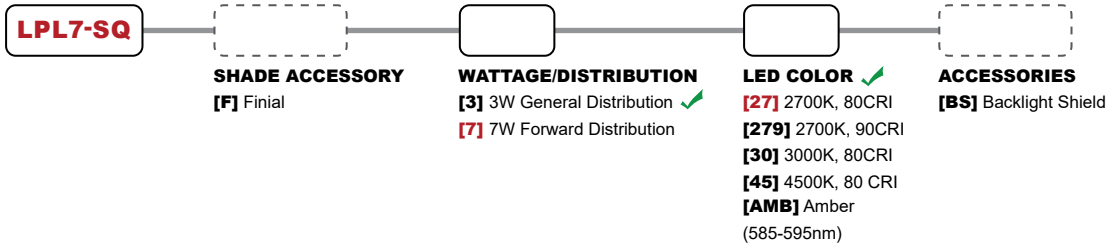
## LPL7-SQ QUADRANT



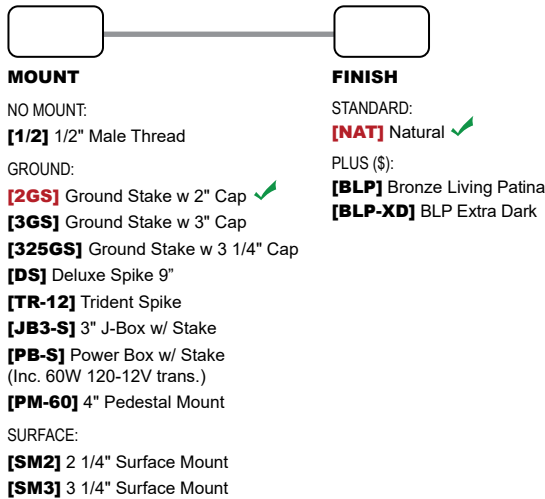
**ORDERING GUIDE:** <sup>Prefix</sup> **LPL7-SQ** L (LED) PL (PATH LIGHT) 7 (SERIES) SQ (SQUARE)

INDICATES REQUIRED FIELD     INDICATES OPTIONAL FIELD     INCLUDED IN BASE PRICE    [ \_ ] QUICK SPEC (See Below)

**QUICK SPEC SKU**    **LPL7-SQ-7-27-2GS-NAT**



NOTE: For other CCT and CRI options, contact factory. CCT 3000K or less required for Dark Sky compliance.



# LPL7-SQ QUADRANT

## PHOTOMETRIC OVERVIEW

To download more in-depth IES photometric data, visit [auroralight.com/product/lpl7-sq-quadrant/](http://auroralight.com/product/lpl7-sq-quadrant/)

