

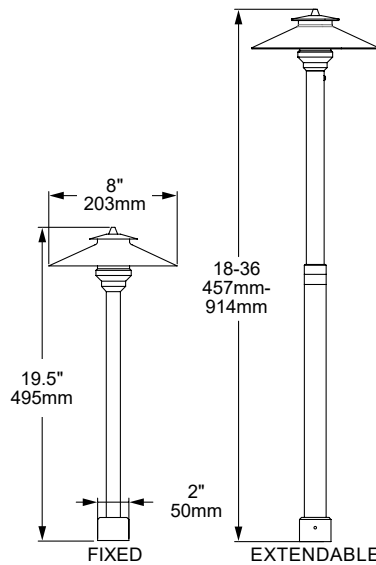


LPL8-NAT

The **LPL8 Corona** is scaled to suit architecture that requires a more substantial and weighty look. This path light is ideal for illuminating grand driveways, walkways, and open areas that demand generous light spacing. Every LPL8 path light includes a Thermally Integrated® Field Serviceable LED Module. Utilizing our Copper Core Technology®, the LPL8 module is precisely engineered to transfer heat away from the LED driver/circuit and dissipate throughout the entire luminaire to ensure optimal performance, color consistency, and long life!

**Features include:**

- 6 Watts and up to 353 Lumens
- Cree LED™ XLAMP® XHP35 High Density
- 2700K (80 & 90 CRI), 3000K (80 CRI), 4500K (80 CRI) or Amber 585-595nm
- Thermally Integrated® Field Serviceable LED Module
- 12V Integral Driver, Dimmable to <10% typ.
- Compatible w/ 12V AC/DC ELV or MLV Transformers
- Fixed or Extendable Riser
- Solid Copper and Brass Construction
- Contact Factory for Custom Height



**COPPER CORE TECHNOLOGY®**

Copper Core® is a registered trademark of Auroralight. It is synonymous with the mark of quality and integrity. It means that our products are built upon a superior foundation of Solid Copper, ensuring every critical part functions seamlessly together Thermally integrated® one component to the next. Auroralight manufactured without compromise, engineered with passion, in the USA.

**SEE NEXT PAGE FOR ORDERING INFORMATION**



## LPL8 CORONA

**ORDERING GUIDE:** <sup>Prefix</sup> **LPL8** L (LED) PL (PATH LIGHT) 8 (INCHES)

INDICATES REQUIRED FIELD     INDICATES OPTIONAL FIELD     INCLUDED IN BASE PRICE    [ \_ ] QUICK SPEC (See Below)

**QUICK SPEC SKU**    **LPL8-27-FR-C-2GS-NAT**

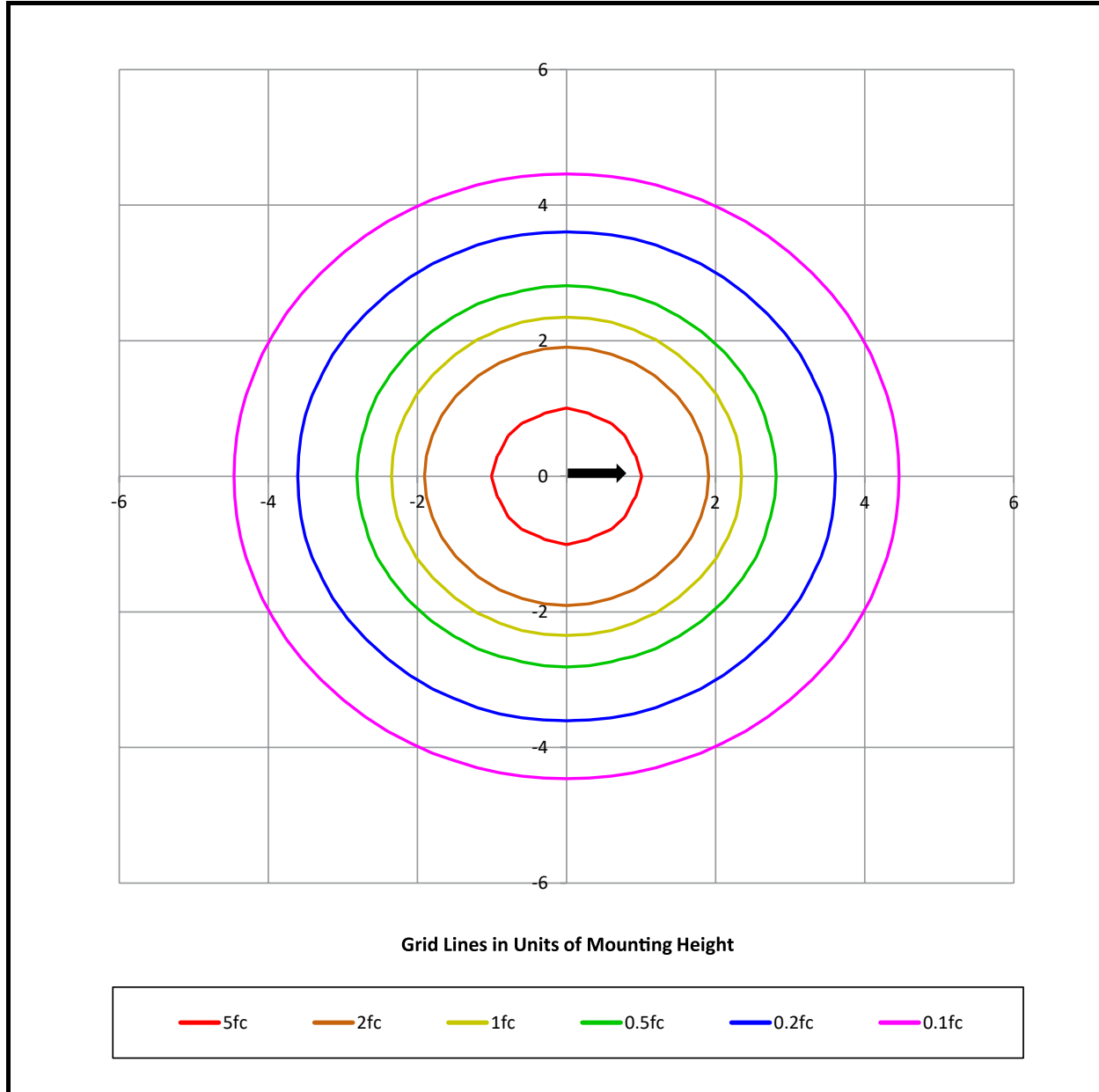
<b>LPL8</b>					
<p><b>LED COLOR</b> ✓</p> <p><b>[27]</b> 2700K, 80CRI  <b>[279]</b> 2700K, 90CRI  <b>[30]</b> 3000K, 80CRI  <b>[45]</b> 4500K, 80CRI  <b>[AMB]</b> Amber                  (585-595nm)</p> <p>NOTE: For other CCT and CRI options, contact factory. CCT 3000K or less required for Dark Sky compliance.</p>	<p><b>HEIGHT</b></p> <p><b>[FR]</b> Fixed Riser (19" OAH) ✓  <b>[EXTR]</b> Extendable Riser (18-36")</p>	<p><b>LENS</b> ✓</p> <p><b>[F]</b> Frosted  <b>[C]</b> Clear</p>	<p><b>MOUNT</b></p> <p>NO MOUNT:  <b>[1/2]</b> 1/2" Male Thread</p> <p>GROUND:  <b>[2GS]</b> Ground Stake w 2" Cap ✓  <b>[3GS]</b> Ground Stake w 3" Cap  <b>[325GS]</b> Ground Stake w 3 1/4" Cap  <b>[DS]</b> Deluxe Spike 9"  <b>[TR-12]</b> Trident Spike  <b>[JB3-S]</b> 3" J-Box w/ Stake  <b>[PB-S]</b> Power Box w/ Stake (Inc. 60W 120-12V trans.)  <b>[PM-60]</b> 4" Pedestal Mount</p> <p>SURFACE:  <b>[SM2]</b> 2 1/4" Surface Mount  <b>[SM3]</b> 3 1/4" Surface Mount</p>	<p><b>FINISH</b></p> <p>STANDARD:  <b>[NAT]</b> Natural ✓</p> <p>PLUS (\$):  <b>[BLP]</b> Bronze Living Patina  <b>[BLP-XD]</b> BLP Extra Dark</p> <p>PREMIUM (\$\$\$):  <b>[NI]</b> Nickel PVD  <b>[BG]</b> Black Gloss PVD  <b>[BS]</b> Black Satin PVD  <b>[BZ]</b> Bronze PVD  <b>[BZ-XD]</b> Dark Bronze PVD</p>	



## PHOTOMETRIC OVERVIEW

Information based on 4.5 Watts. To download more in-depth IES photometric data, visit [auroralight.com/product/lpl8-corona/](http://auroralight.com/product/lpl8-corona/)

Mounting Height - 2 Feet



**BUG Rating** B0 U0 G1