

LPL9 SERENGETI

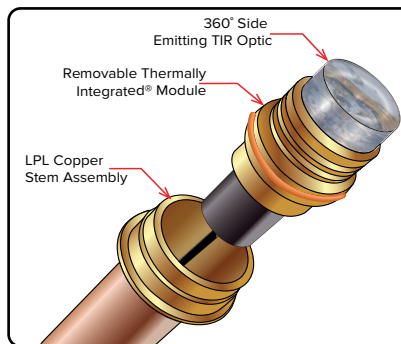
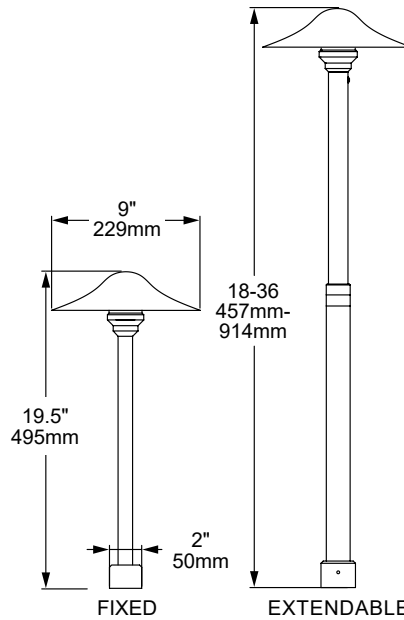


LPL9-NAT

The **LPL9 Serengeti** is a graceful and flowing masterpiece that complements architecture of similar or contrasting styles. This path-light is ideal for illuminating grand driveways, walkways, and open areas that demand generous light spacing. Every LPL9 path-light includes a Thermally Integrated® Field Serviceable LED Module. Utilizing our Copper Core Technology®, the LPL9 module is precisely engineered to transfer heat away from the LED driver/circuit and dissipate throughout the entire luminaire to ensure optimal performance, color consistency, and long life!

Features include:

- 6 Watts up to 342 Lumens
- Cree LED™ XLAMP® XHP35 High Density
- 2700K (80 & 90 CRI), 3000K (80 CRI), 4500K (80 CRI) or Amber 585-595nm
- Thermally Integrated® Field Serviceable LED Module
- 12V Integral Driver, Dimmable to <10% typ.
- Compatible w/ 12V AC/DC ELV or MLV Transformers
- Fixed or Extendable Riser
- Solid Copper and Brass Construction
- Contact Factory for Custom Height



**COPPER
CORE
TECHNOLOGY®**

Copper Core® is a registered trademark of Auroralight. It is synonymous with the mark of quality and integrity. It means that our products are built upon a superior foundation of Solid Copper, ensuring every critical part functions seamlessly together Thermally integrated® one component to the next. Auroralight manufactured without compromise, engineered with passion, in the USA.

SEE NEXT PAGE FOR ORDERING INFORMATION

LPL9 SERENGETI

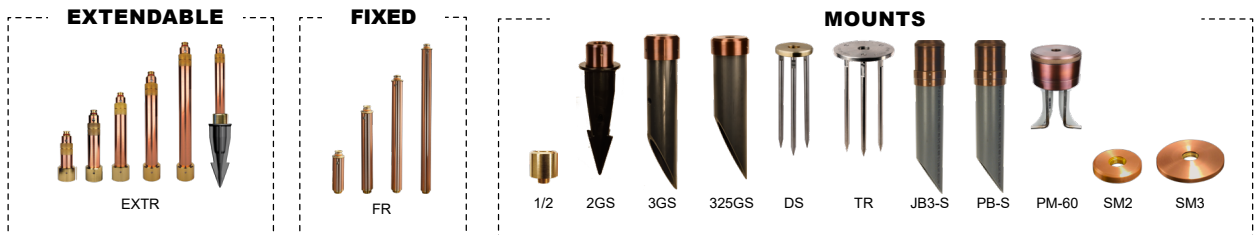


ORDERING GUIDE: ^{Prefix} **LPL9** L (LED) PL (PATH LIGHT) 9 (INCHES)

□ INDICATES REQUIRED FIELD □ INDICATES OPTIONAL FIELD ✓ INCLUDED IN BASE PRICE [_] QUICK SPEC (See Below)

QUICK SPEC SKU **LPL9-27-FR-C-2GS-NAT**

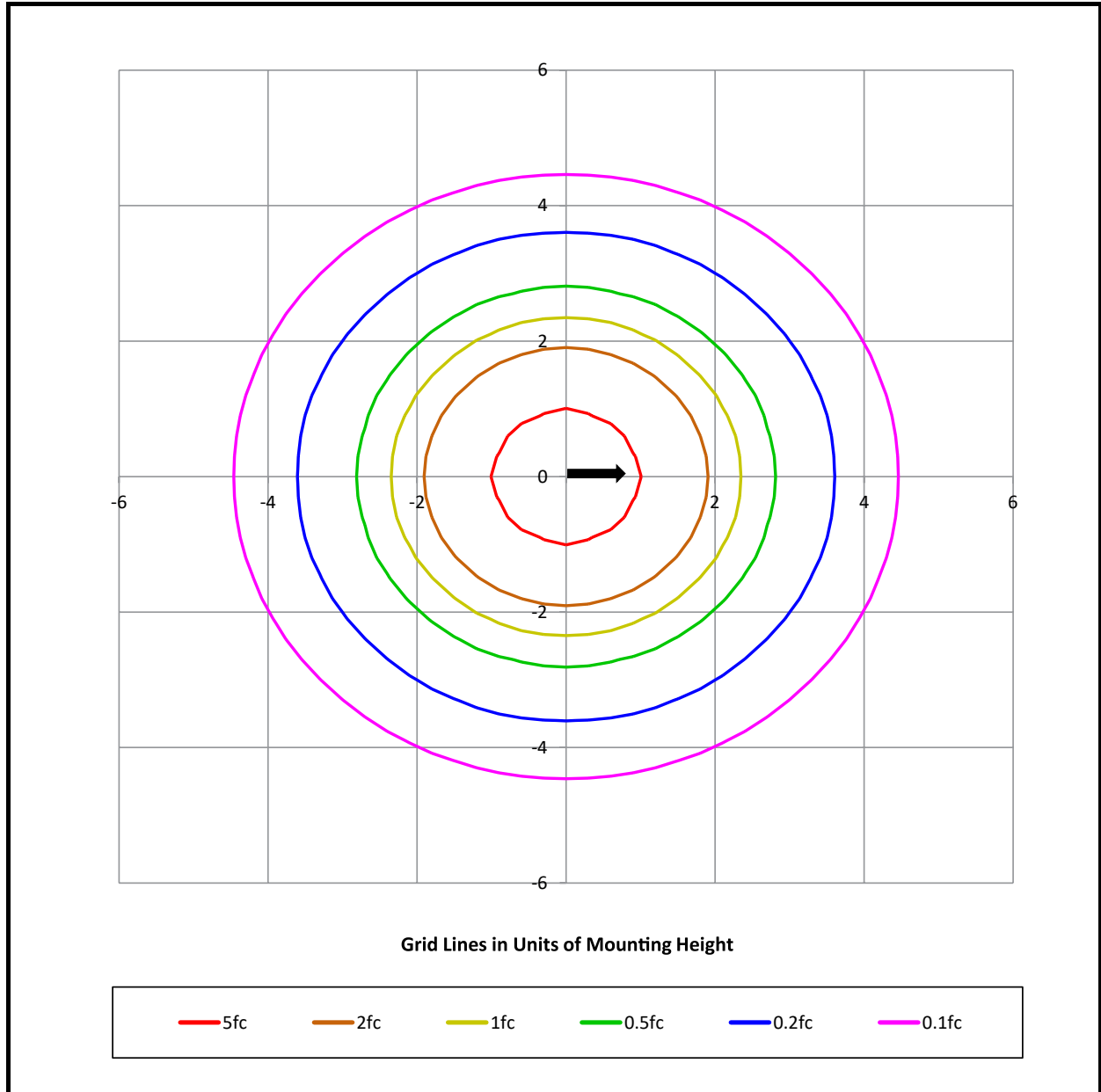
LPL9					
<p>LED COLOR ✓</p> <p>[27] 2700K, 80CRI [279] 2700K, 90CRI [30] 3000K, 80CRI [45] 4500K, 80CRI [AMB] Amber (585-595nm)</p> <p>NOTE: For other CCT and CRI options, contact factory. CCT 3000K or less required for Dark Sky compliance.</p>	<p>HEIGHT</p> <p>[FR] Fixed Riser (19" OAH) ✓ [EXTR] Extendable Riser (18-36")</p>	<p>LENS ✓</p> <p>[F] Frosted [C] Clear</p>	<p>MOUNT</p> <p>NO MOUNT: [1/2] 1/2" Male Thread</p> <p>GROUND: [2GS] Ground Stake w 2" Cap ✓ [3GS] Ground Stake w 3" Cap [325GS] Ground Stake w 3 1/4" Cap [DS] Deluxe Spike 9" [TR-12] Trident Spike [JB3-S] 3" J-Box w/ Stake [PB-S] Power Box w/ Stake (Inc. 60W 120-12V trans.) [PM-60] 4" Pedestal Mount</p> <p>SURFACE: [SM2] 2 1/4" Surface Mount [SM3] 3 1/4" Surface Mount</p>	<p>FINISH</p> <p>STANDARD: [NAT] Natural ✓</p> <p>PLUS (\$): [BLP] Bronze Living Patina [BLP-XD] BLP Extra Dark</p>	



PHOTOMETRIC OVERVIEW

To download more in-depth IES photometric data, visit auroralight.com/product/lpl9-serengeti/

Mounting Height - 2 Feet



BUG Rating B0 U0 G1