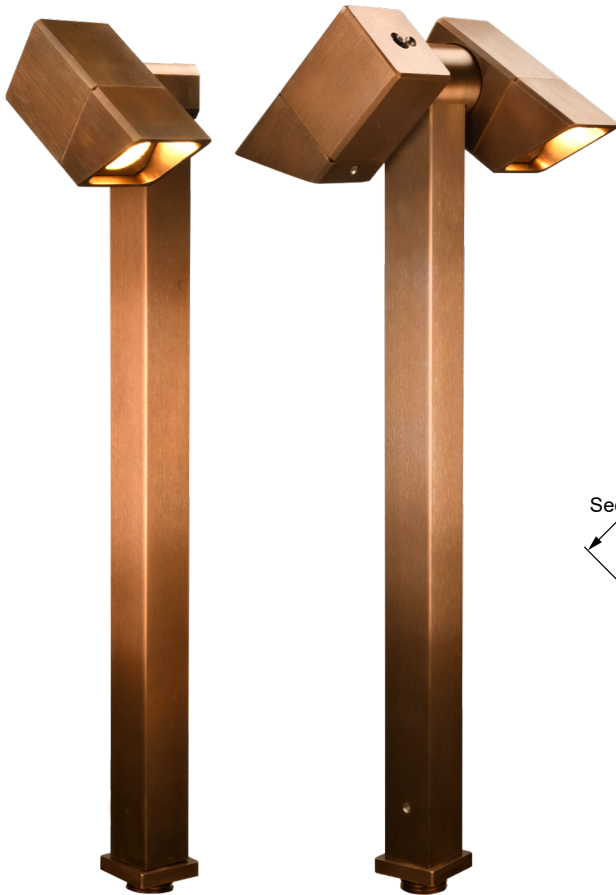


The **LQPL Qube** is among the most versatile fixtures in the Qube series. The LQPL can be configured with one or two independently adjustable heads. The twin version is ideal for larger areas or illuminating a pathway while uplighting onto a wall or landscape with a single fixture. The Qube PL mono is an elegant and effective pathway luminaire that is highly adjustable to ensure glare-free performance.

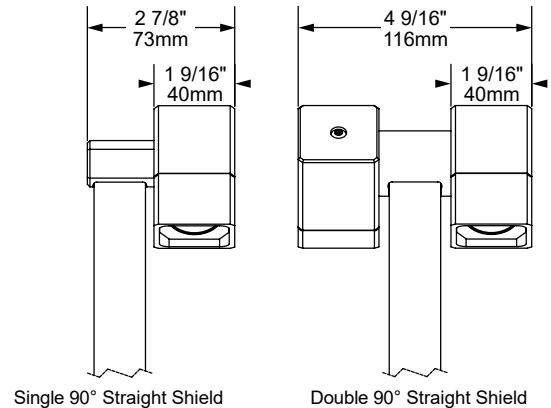
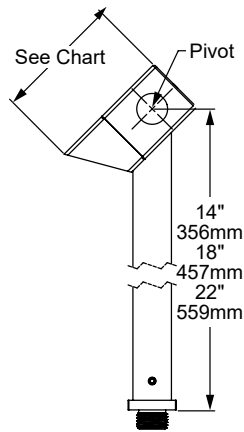
**Features include:**

- 3 or 6 Watts, up to 170 Lumens per head
- Cree LED™ XP-L® High Density
- 2700K (80 & 90 CRI), 3000K (80 CRI), 4500K (80 CRI) or Amber 585-595nm
- Thermally Integrated® and Field Serviceable LED Module
- Storm Drain™ Lens Drainage System
- 12V Integral Driver, Dimmable to <10% typ.
- Compatible w/ 12V AC/DC ELV or MLV Transformers
- Solid Brass Construction



1-60-BLP

2-60-60-BLP



**LIGHT SOURCE LENGTH CHART**

Glare Shield	Length
60° Angled Shield	3 5/16" (84mm)
90° Straight Shield	3" (76mm)
No Shield	2 3/8" (60mm)

**STORM DRAIN**

Auroralight's proprietary Storm Drain™ system provides exceptional glare control together with enhanced drainage. The secret is our Exclusive "Linear Weep Hole" With eight or more such holes; water flushes out quickly and entirely with zero light trespasses. Auroralight, Engineering Solutions that make a difference!

**COPPER CORE TECHNOLOGY®**

Copper Core® is a registered trademark of Auroralight. It is synonymous with the mark of quality and integrity. It means that our products are built upon a superior foundation of Solid Copper, ensuring every critical part functions seamlessly together Thermally integrated® one component to the next. Auroralight manufactured without compromise, engineered with passion, in the USA.



12V



STORM DRAIN



**SEE NEXT PAGE FOR ORDERING INFORMATION**



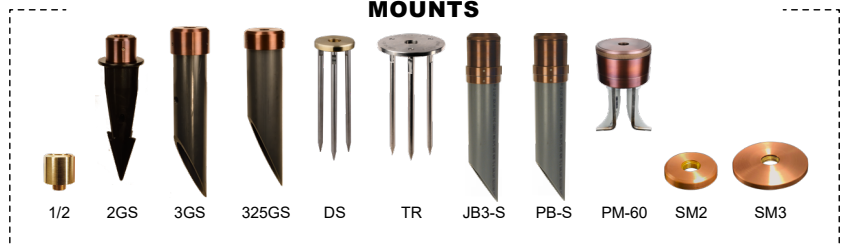
**ORDERING GUIDE:** <sup>Prefix</sup> **LQPL** L (LED) Q (QUBE) PL (PATH LIGHT)

□ INDICATES REQUIRED FIELD    □ INDICATES OPTIONAL FIELD    ✓ INCLUDED IN BASE PRICE    [ \_ ] QUICK SPEC (See Below)

**QUICK SPEC SKU**    **LQPL-1-60-27-18-2GS-NAT**

<b>LQPL</b>					
<p><b>LIGHT SOURCE</b></p> <p>Single Glare Shield (3 Watts) ✓</p> <p><b>[1-60]</b> 60° Angled</p> <p><b>[1-90]</b> 90° Straight</p> <p><b>[1-NS]</b> No Shield</p> <p>Double Glare Shield (6 Watts)</p> <p><b>[2-60-60]</b> 60° and 60°</p> <p><b>[2-60-90]</b> 60° and 90°</p> <p><b>[2-60-NS]</b> 60° and NS</p> <p><b>[2-90-90]</b> 90° and 90°</p> <p><b>[2-90-NS]</b> 90° and NS</p> <p><b>[2-NS-NS]</b> NS and NS</p>	<p><b>LED COLOR</b> ✓</p> <p><b>[27]</b> 2700K, 80CRI</p> <p><b>[279]</b> 2700K, 90CRI</p> <p><b>[30]</b> 3000K, 80CRI</p> <p><b>[45]</b> 4500K, 80CRI</p> <p><b>[AMB]</b> Amber (585-595nm)</p> <p>NOTE: For other CCT and CRI options, contact factory</p>	<p><b>HEIGHT</b></p> <p><b>[14]</b> 14" ✓</p> <p><b>[18]</b> 18"</p> <p><b>[22]</b> 22"</p> <p><b>[XX]</b> Specify</p>	<p><b>MOUNT</b></p> <p>NO MOUNT:</p> <p><b>[1/2]</b> 1/2" Male Thread</p> <p>GROUND:</p> <p><b>[2GS]</b> Ground Stake w 2" Cap ✓</p> <p><b>[3GS]</b> Ground Stake w 3" Cap</p> <p><b>[325GS]</b> Ground Stake w 3 1/4" Cap</p> <p><b>[DS]</b> Deluxe Spike 9"</p> <p><b>[TR-12]</b> Trident Spike</p> <p><b>[JB3-S]</b> 3" J-Box w/ Stake</p> <p><b>[PB-S]</b> Power Box w/ Stake (Inc. 60W 120-12V trans.)</p> <p><b>[PM-60]</b> 4" Pedestal Mount</p> <p>SURFACE:</p> <p><b>[SM2]</b> 2 1/4" Surface Mount</p> <p><b>[SM3]</b> 3 1/4" Surface Mount</p>	<p><b>FINISH</b></p> <p>STANDARD:</p> <p><b>[NAT]</b> Natural ✓</p> <p>PLUS (\$):</p> <p><b>[BLP]</b> Bronze Living Patina</p> <p><b>[BLP-XD]</b> BLP Extra Dark</p> <p>PREMIUM (\$\$\$):</p> <p><b>[NI]</b> Nickel PVD</p> <p><b>[BG]</b> Black Gloss PVD</p> <p><b>[BS]</b> Black Satin PVD</p> <p><b>[BZ]</b> Bronze PVD</p> <p><b>[BZ-XD]</b> Dark Bronze PVD</p>	

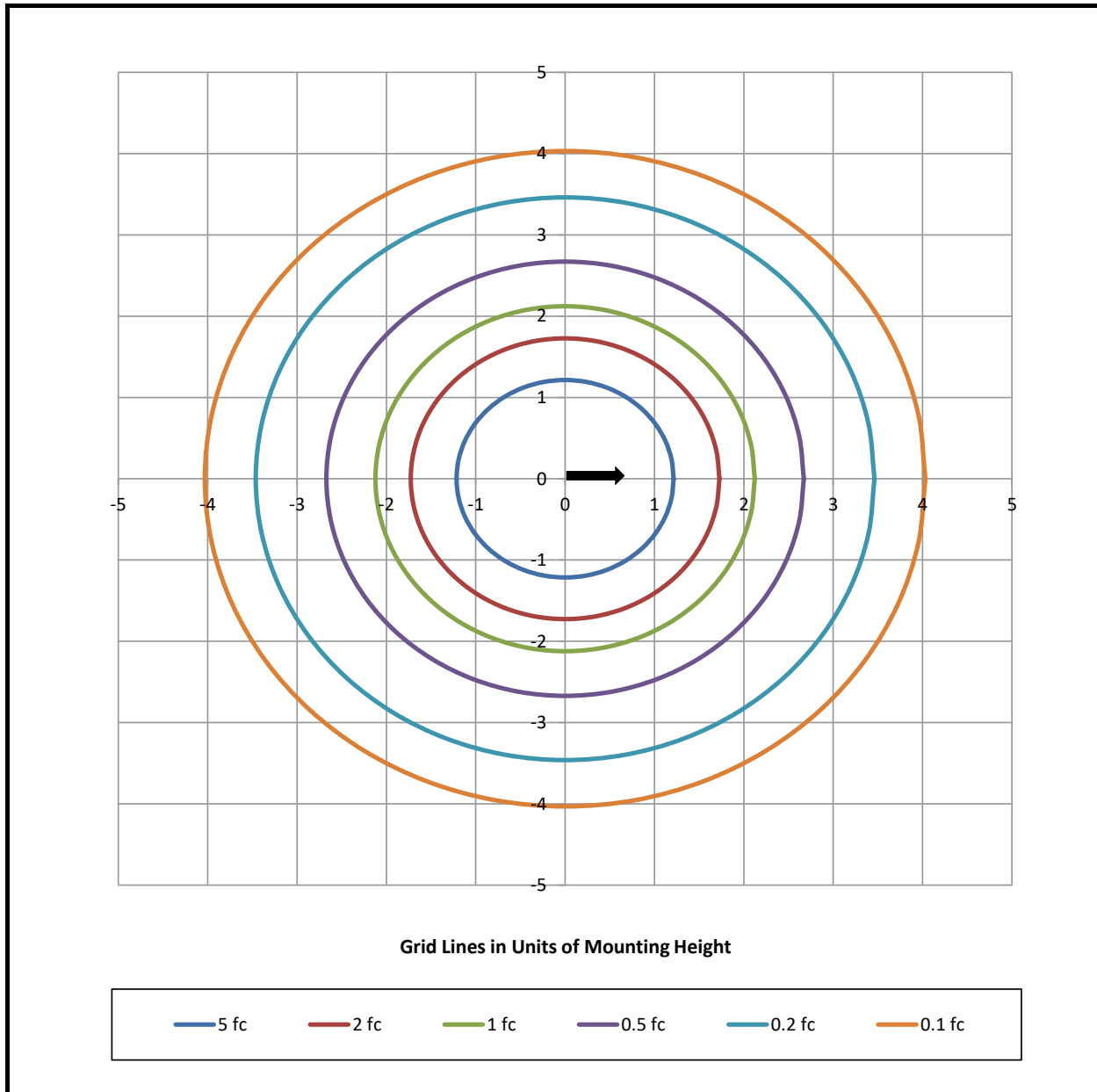
**MOUNTS**



## PHOTOMETRIC OVERVIEW

Information based on 3 Watts 3000K. To download more in-depth IES photometric data, visit [auroralight.com/product/lqpl-qube/](http://auroralight.com/product/lqpl-qube/)

Mounting Height - 1.25 Feet



**BUG Rating**    B0 U1 G0