



The **LQSL Qube** directional luminaire is a discrete 3-watt luminaire that produces a soft and wide, evenly dispersed light pattern creating a subtle yet dramatic effect. Will not overpower smaller delicate plantings; ideal as a wall wash or subtle accent light. This low-profile fixture is easily hidden among plantings and other landscape features; attractive when featured on any structure.

Features include:

- 3 Watts up to 170 Lumens
- Cree LED™ XLAMP® (XP-L)
- 2700K (80 & 90 CRI), 3000K (80 CRI), 4500K (80 CRI), or Amber (585-595nm)
- Thermally Integrated®, Field Serviceable LED Module
- Storm Drain™ Lens Drainage System
- Aurora Mount System (AMS™) Compatible
- 12V Integral Constant Current Driver (Remote 12V AC/DC Transformer Required)
- Dimmable to <10% (TRIAC/Forward Phase) via Compatible Transformer
- Compatible w/ 12V AC/DC MLV or ELV Transformers
- Solid Brass Construction

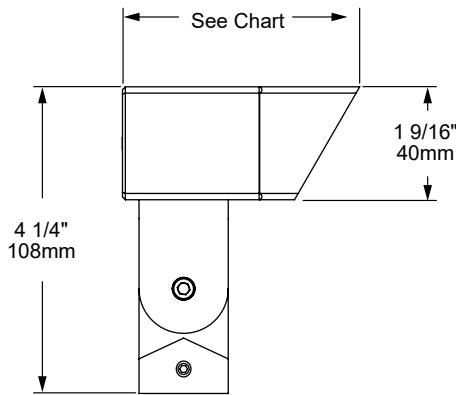


LQSL-60-NAT



LQSL-60-BLP

LQSL-60-BLP



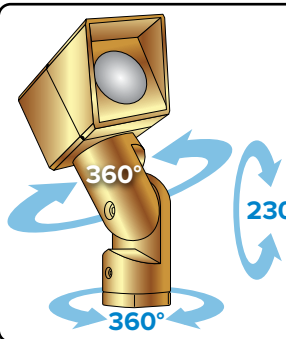
LIGHT SOURCE LENGTH CHART

Glare Shield	Length
60° Angled Shield	3 5/16" (84mm)
90° Straight Shield	3" (76mm)
No Shield	2 3/8" (60mm)



STORM DRAIN

Auroralight's proprietary Storm Drain™ system provides exceptional glare control together with enhanced drainage. The secret is our Exclusive "Linear Weep Hole" With eight or more such holes; water flushes out quickly and entirely with zero light trespasses. Auroralight, Engineering Solutions that make a difference!



The Aurora Mount System (AMS™) features 2 axis of adjustment – 360° of fixture rotation at the mount and 230° at the solid brass knuckle. The ultimate in precision aiming without twisting or compromising wire integrity.

-
-
-
-
-
-

SEE NEXT PAGE FOR ORDERING INFORMATION



ORDERING GUIDE: **LQSL** L (LED) Q (QUBE) SL (SPOTLIGHT)

INDICATES REQUIRED FIELD INDICATES OPTIONAL FIELD INCLUDED IN BASE PRICE [_] QUICK SPEC (See Below)

QUICK SPEC SKU LQSL-60-27-AGS-NAT

LQSL — —

SHIELD
[60] 60° Angled
[90] 90° Straight
[NS] No Shield

LED COLOR
[27] 2700K, 80 CRI
[279] 2700K, 90 CRI
[30] 3000K, 80 CRI
[45] 4500K, 80 CRI
[AMB] Amber (585-595nm)

NOTE: For other CCT and CRI options, contact factory

— —

RISER
 EXTENDABLE (EXTR):
[5X10] 5x10"
[7X14] 7x14"
[9X18] 9x18"
[11X22] 11x22"
[18X36] 18x36"
 SUBTERRANEAN (EXTENDABLE):
 (Mounts are not applicable with STR)
[STR-12] 12" above grade 13 1/2" below
[STR-18] 18" above grade 19 1/2" below
 FIXED:
[FR-4] 4"
[FR-8] 8"
[FR-12] 12"
[FR-16] 16"
[FR-18] 18"
 90° & TEE OPTIONS:
 Add **-90** (for 90°) or **-T** (for Tee) to any of the riser part numbers above.

MOUNT
 NO MOUNT:
[1/2] 1/2" (NPS) Universal Thread
 GROUND:
[AGS] AMS Ground Stake
[BMS] Brass Micro Spike
[2GS] Ground Stake w/ 2" Cap
[DS] 9" Deluxe Spike
[TR-12] 12" Trident Spike
[JB3-S] 3" Junction Box w/ PVC Stake
[PB-S] Power Box w/ PVC Stake Incl. w/ 60W 120-12V Trans.
[PM-60-1] Concrete Pedestal Mount w/ 60W 120-12V Trans. (Single Hole/One Fixture)
[PM-60-2] Concrete Pedestal Mount w/ 60W 120-12V Trans. (Double Hole/Two Fixtures)

TREE:
[TS-LD-36] 36" AMS Tree Strap - Light Duty
[BTM] Bolt-On Tree Mount
[STM] Screw-In Tree Mount

SURFACE:
[SMJB-1] Surface Mount J-Box (Single Hole/One Fixture) w/ 5 KO
[SMJB-2] Surface Mount J-Box (Double Hole/Two Fixtures) w/ 5 KO
[SM2] 2" Surface Mount
[SM3] 3" Surface Mount
[TM] AMS Trellis Mount
[SB] AMS Splice Box

COVER PLATE:
[CP35-BR] 3 1/2" Brass Cover Plate
[CP4-BR] 4" Brass Cover Plate
[CP14] 4" AMS J-Box Cover Plate
[CP45-BR] 4 1/2" Brass Cover Plate
[MC45-1] 4 1/2" Mount Canopy (Single Hole/One Fixture)
[MC45-2] 4 1/2" Mount Canopy (Double Hole/Two Fixtures)
[PC-60-1] 4 1/2" Power Canopy Incl. w/ 60W 120-12V Trans. (Single Hole/One Fixture)
[PC-60-2] 4 1/2" Power Canopy Incl. w/ 60W 120-12V Trans. (Double Hole/Two Fixtures)

FINISH
 STANDARD:
[NAT] Natural
 PLUS (\$):
[BLP] Bronze Living Patina
[BLP-XD] BLP Extra Dark
 PREMIUM (\$\$\$):
[NI] Nickel PVD
[BG] Black Gloss PVD
[BS] Black Satin PVD
[BZ] Bronze PVD
[BZ-XD] Dark Bronze PVD

NOTE: Risers are not compatible with AMS Mounts.

NOTE: Universal adapter included w/ fixture, except where AMS is noted. Most common configurations listed above; See Mount/Riser spec sheets for all options.

MOST POPULAR MOUNT OPTIONS



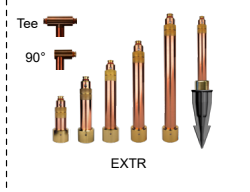
GROUND



COVER PLATE



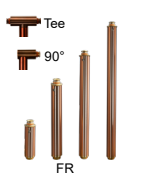
EXTENDABLE



SUBTERRANEAN (EXTENDABLE)



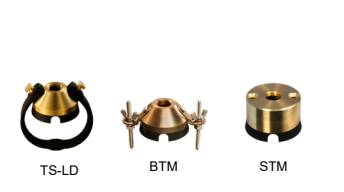
FIXED



SURFACE



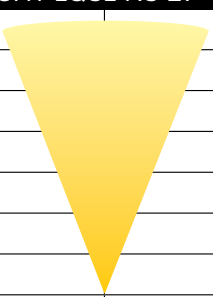
TREE



PHOTOMETRIC OVERVIEW

To download more in-depth IES photometric data, visit auroralight.com/product/lqsl-qube/

2700K No Shield 145.7 LUMENS • CBCP 53 • BUG B0 U1 G0 AURORALIGHT LQSL-NS-27		
30 FT	0.0586	35.5
26 FT	0.0780	30.7
22 FT	0.109	26.0
18 FT	0.163	21.3
14 FT	0.269	16.5
10 FT	0.527	11.8
6 FT	1.46	7.09
Distance From Fixture	Footcandles	Beam Width



3000K No Shield 170.0 LUMENS • CBCP 62 • BUG B0 U1 G0 AURORALIGHT LQSL-NS-30		
30 FT	0.0683	35.5
26 FT	0.0910	30.7
22 FT	0.127	26.0
18 FT	0.190	21.3
14 FT	0.314	16.5
10 FT	0.615	11.8
6 FT	1.71	7.09
Distance From Fixture	Footcandles	Beam Width

