

The all-new **LSL30 Kodiak** is a high-performance and high-efficiency floodlight, lab certified at over 100 Lumens per watt at 3000K. The LSL30 is: built upon our Copper Core® platform, Thermally Integrated®, and self-regulated for peak performance and longevity in any climate.

Features include:

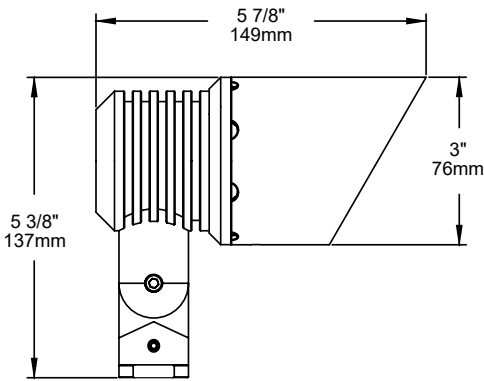
- Available in 12, 14, and 16 Watts, and up to 1,445 Lumens at 14 Watts
- 4 Interchangeable Optics from 15° to 60°
- Optional Designer Shield to allow for light-shaping accessories
- Cree LED™ XLAMP® High Density (CXB1512) COB
- 2700K or 3000K (CRI 80 typ.)
- Thermally Integrated® w/ Copper Core Technology®
- Storm Drain™ Lens Drainage System
- 12V Integral Constant Current Driver (Remote 12V AC/DC Transformer Required)
- Dimmable to <10% (TRIAC/Forward Phase)
- Compatible w/ 12V AC/DC MLV or ELV Transformers
- Solid Brass Construction



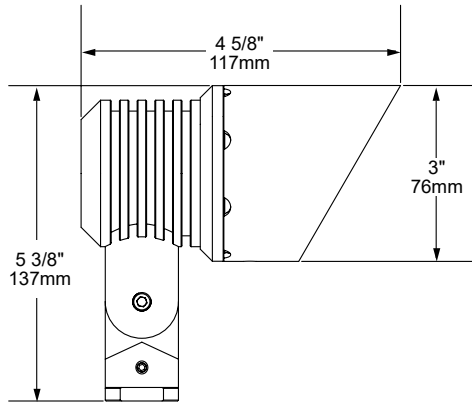
LSL30-60-G-BLP-XD



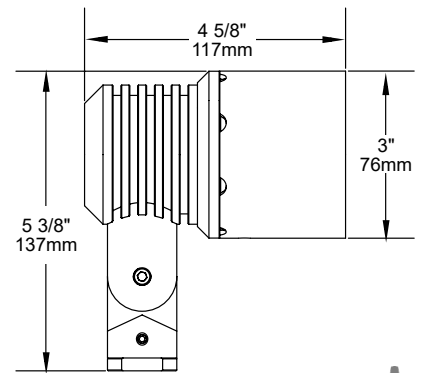
LSL30-60-NG-BLP



[DS] 60° Designer Shield



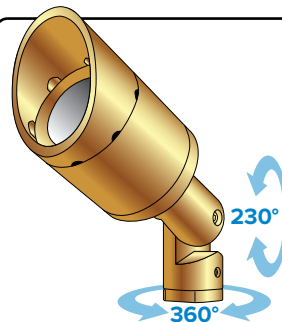
[60] 60° Angled Shield



[90] 90° Straight Shield

COPPER CORE TECHNOLOGY®

Copper Core® is a registered trademark of Auroralight. It is synonymous with the mark of quality and integrity. It means that our products are built upon a superior foundation of Solid Copper, ensuring every critical part functions seamlessly together Thermally integrated® one component to the next. Auroralight manufactured without compromise, engineered with passion, in the USA.



The Aurora Mount System (AMS™) features 2 axis of adjustment – 360° of fixture rotation at the mount and 230° at the solid brass knuckle. The ultimate in precision aiming without twisting or compromising wire integrity.



12V



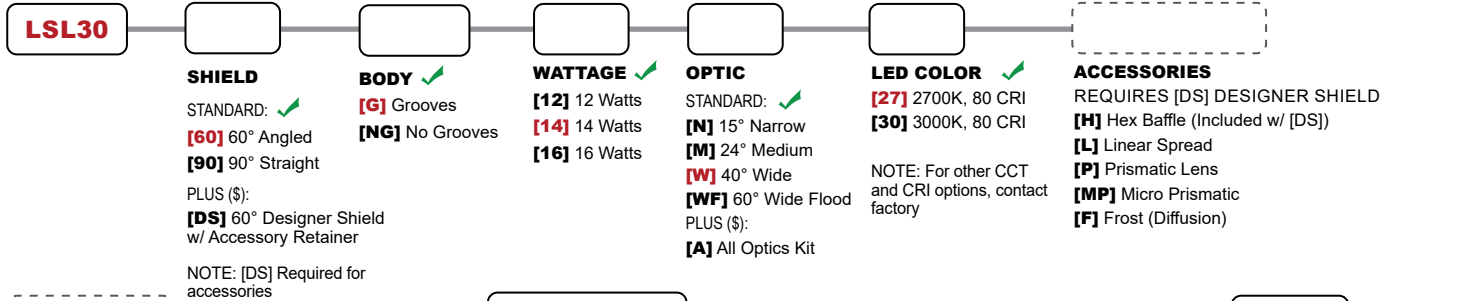
SEE NEXT PAGE FOR ORDERING INFORMATION



ORDERING GUIDE: Prefix **LSL30** L (LED) SL (SPOTLIGHT) 30 (SERIES)

INDICATES REQUIRED FIELD INDICATES OPTIONAL FIELD INCLUDED IN BASE PRICE [_] QUICK SPEC (See Below)

QUICK SPEC SKU **LSL30-60-G-14-W-27-AGS-NAT**



RISER

EXTENDABLE (EXTR-HD):
[8x12] 8x12"
[11x19] 11x19"
 SUBTERRANEAN (EXTENDABLE):
 (Mounts are not applicable with STR)
[STR-12] 12" above grade 13 1/2" below
[STR-18] 18" above grade 19 1/2" below
 90° & TEE OPTIONS:
 Add **-90** (for 90°) or **-T** (for Tee) to any of the STR riser part numbers above.
 NOTE: Risers are not compatible with AMS Mounts.

MOUNT

NO MOUNT:
[1/2] 1/2" (NPS) Universal Thread
 GROUND:
[AGS] AMS Ground Stake
[2GS] Ground Stake w/ 2" Cap
[3GS] Ground Stake w/ 3" Cap
[325GS] Ground Stake w/ 3 1/4" Cap
[BD-GS] Ground Stake w/ 2 3/4" Cap
 *Only available with EXTR-HD Riser
[TR-12] 12" Trident Spike
[JB3-S] 3" Junction Box w/ PVC Stake
[PB-S] Power Box w/ PVC Stake Incl. w/ 60W 120-12V Trans.
[PM-60-1] Concrete Pedestal Mount w/ 60W 120-12V Trans.
 (Single Hole/One Fixture)
[PM-60-2] Concrete Pedestal Mount w/ 60W 120-12V Trans.
 (Double Hole/Two Fixtures)
 TREE:
[BTM] Bolt-On Tree Mount
[STM] Screw-In Tree Mount
[TS-HD-36] 36" AMS Tree Strap - Heavy Duty

SURFACE:

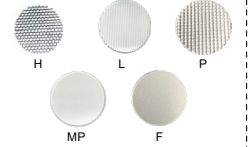
[SMJB-1] Surface Mount J-Box (Single Hole/One Fixture) w/ 5 KO
[SMJB-2] Surface Mount J-Box (Double Hole/Two Fixtures) w/ 5 KO
[SM2] 2" Surface Mount
[SM3] 3" Surface Mount
[TM] AMS Trellis Mount
COVER PLATE:
[CP35-BR] 3 1/2" Brass Cover Plate
[CP4-BR] 4" Brass Cover Plate
[CP45-BR] 4 1/2" Brass Cover Plate
[MC45-1] 4 1/2" Mount Canopy (Single Hole/One Fixture)
[MC45-2] 4 1/2" Mount Canopy (Double Hole/Two Fixtures)
[PC-60-1] 4 1/2" Power Canopy Incl. w/ 60W 120-12V Trans. (Single Hole/One Fixture)
[PC-60-2] 4 1/2" Power Canopy Incl. w/ 60W 120-12V Trans. (Double Hole/Two Fixtures)

NOTE: Universal adapter included w/ fixture, except where AMS is noted. Most common configurations listed above; See Mount/Riser spec sheets for all options.

FINISH

STANDARD:
[NAT] Natural
 PLUS (\$):
[BLP] Bronze Living Patina
[BLP-XD] BLP Extra Dark
 PREMIUM (\$\$\$):
[NI] Nickel PVD
[BG] Black Gloss PVD
[BS] Black Satin PVD
[BZ] Bronze PVD
[BZ-XD] Dark Bronze PVD

ACCESSORIES



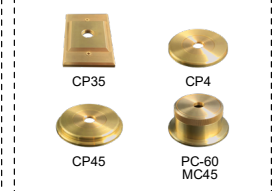
MOST POPULAR MOUNT OPTIONS



GROUND



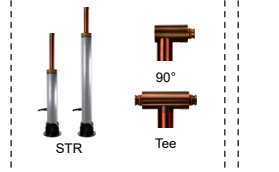
COVER PLATE



EXTENDABLE



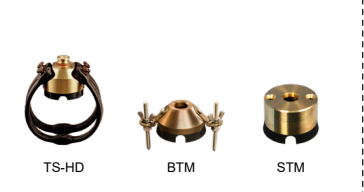
SUBTERRANEAN (EXTENDABLE)



SURFACE



TREE




PHOTOMETRIC OVERVIEW

To download more in-depth IES photometric data, visit auroralight.com/product/lsl30-kodiak/


14 Watts 3000K 15° (NARROW) 60° Shield 1407 LUMENS • CBCP 7878 • BUG B2 U1 G0 AURORALIGHT LSL30-N-30

30 FT	8.37	10.6
26 FT	11.1	9.16
22 FT	15.6	7.75
18 FT	23.2	6.34
14 FT	38.4	4.93
10 FT	75.3	3.52
6 FT	209	2.11
Distance From Fixture	Footcandles	Beam Width



14 Watts 3000K 24° (MEDIUM) 60° Shield 1445 LUMENS • CBCP 5567 • BUG B2 U1 G0 AURORALIGHT LSL30-M-30

30 FT	6.15	13.7
26 FT	8.19	11.9
22 FT	11.4	10.1
18 FT	17.1	8.24
14 FT	28.3	6.41
10 FT	55.4	4.58
6 FT	154	2.75
Distance From Fixture	Footcandles	Beam Width



14 Watts 3000K 40° (WIDE) 60° Shield 1410 LUMENS • CBCP 2364 • BUG B2 U1 G0 AURORALIGHT LSL30-W-30

30 FT	2.62	20.8
26 FT	3.49	18.0
22 FT	4.87	15.3
18 FT	7.28	12.5
14 FT	12.0	9.71
10 FT	23.6	6.93
6 FT	65.5	4.16
Distance From Fixture	Footcandles	Beam Width

