

The **LSL40 Sitka** features a 30% increase in performance over its predecessor, the LSL4. Capable of producing up to 2000 lumens, it is the most powerful directional in our product line. Thermally Integrated® and self-regulated for peak performance, it is ideal for illuminating towering palms, broad trees, and tall architectural features.

**Features include:**

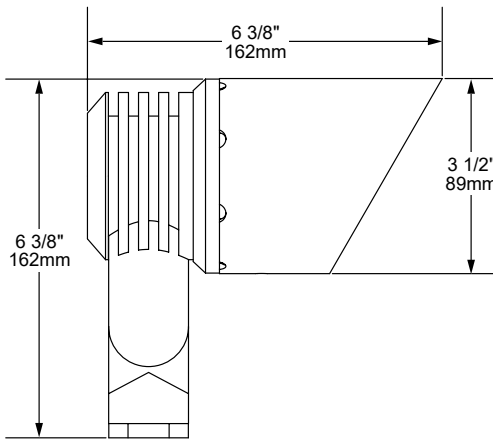
- 3 Power Levels 18, 20, and 22 Watts, up to 2000 Lumens
- 5 Interchangeable Optics from 12° to 60°
- Cree LED™ XLAMP® High Density (CXB1520) COB
- 2700K or 3000K (CRI 80 typ.)
- Thermally Integrated® w/ Copper Core Technology®
- Storm Drain™ Lens Drainage System
- 12V Integral Constant Current Driver (Remote 12V AC/DC Transformer Required)
- Dimmable to <10% (TRIAC/Forward Phase)
- Compatible w/ 12V AC/DC MLV or ELV Transformers
- Solid Brass Construction



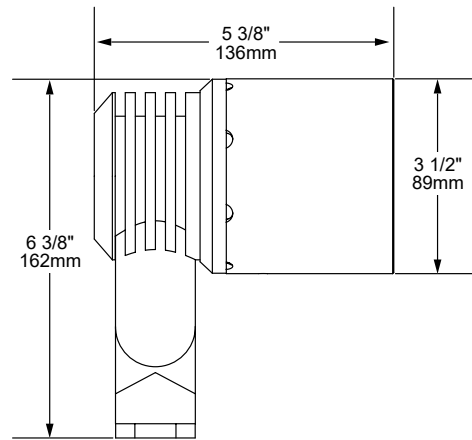
LSL40-60-G-BLP-XD



LSL40-60-G-BLP



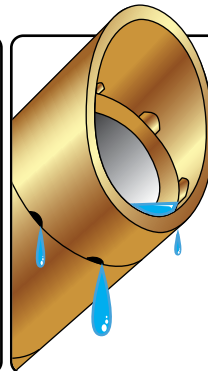
[60] Angled Shield



[90] Straight Shield

### COPPER CORE TECHNOLOGY®

Copper Core® is a registered trademark of Auroralight. It is synonymous with the mark of quality and integrity. It means that our products are built upon a superior foundation of Solid Copper, ensuring every critical part functions seamlessly together Thermally integrated® one component to the next. Auroralight manufactured without compromise, engineered with passion, in the USA.



### STORM DRAIN

Auroralight's proprietary Storm Drain™ system provides exceptional glare control together with enhanced drainage. The secret is our Exclusive "Linear Weep Hole" With eight or more such holes; water flushes out quickly and entirely with zero light trespasses. Auroralight, Engineering Solutions that make a difference!



12V



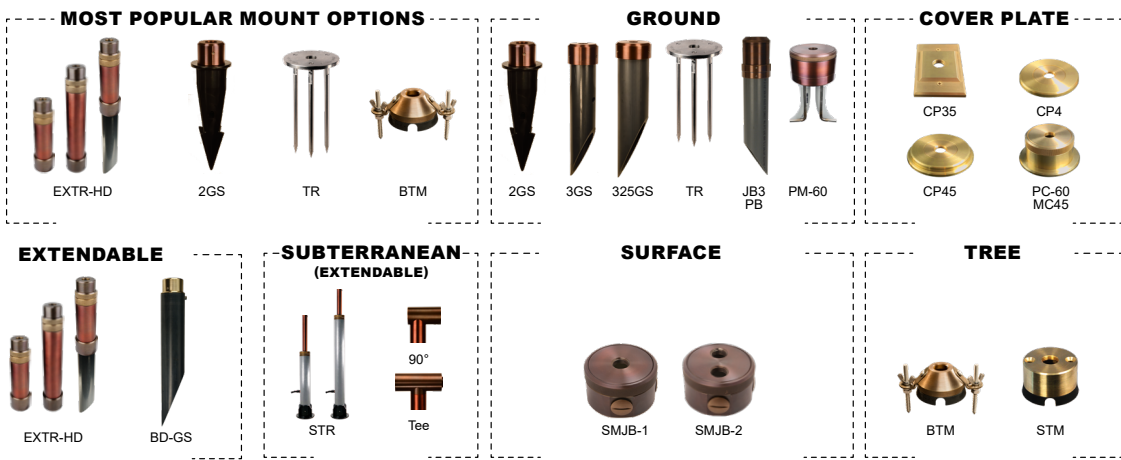
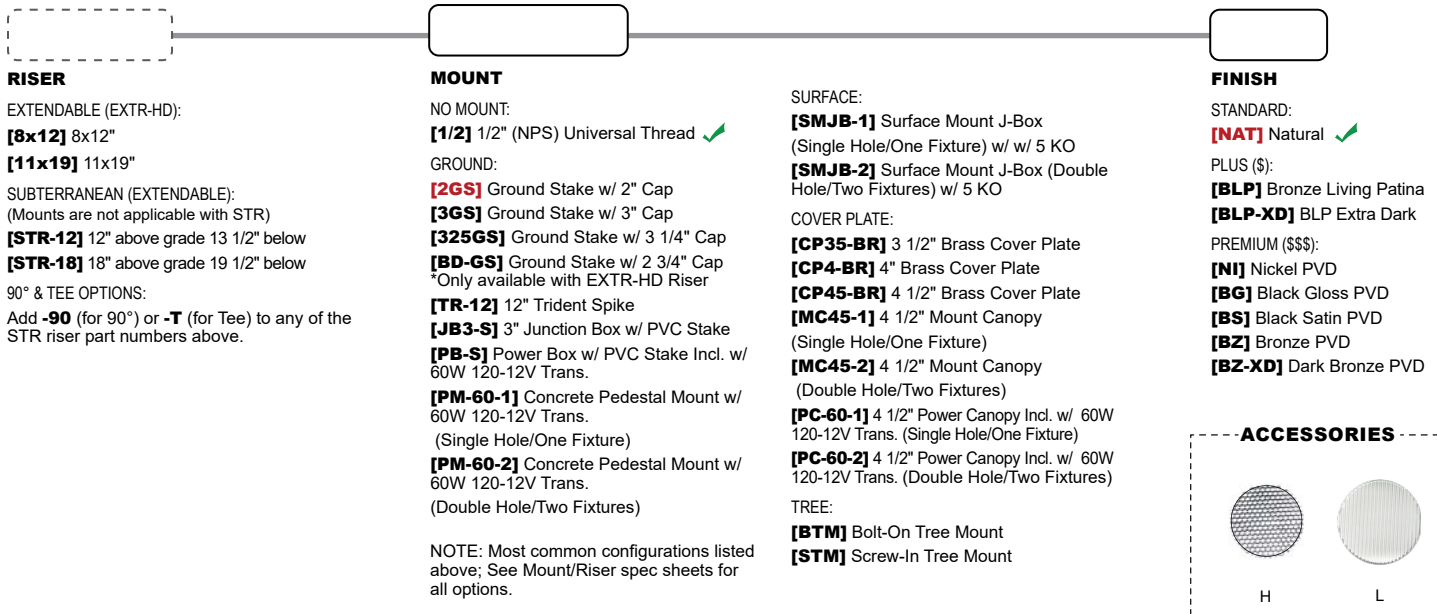
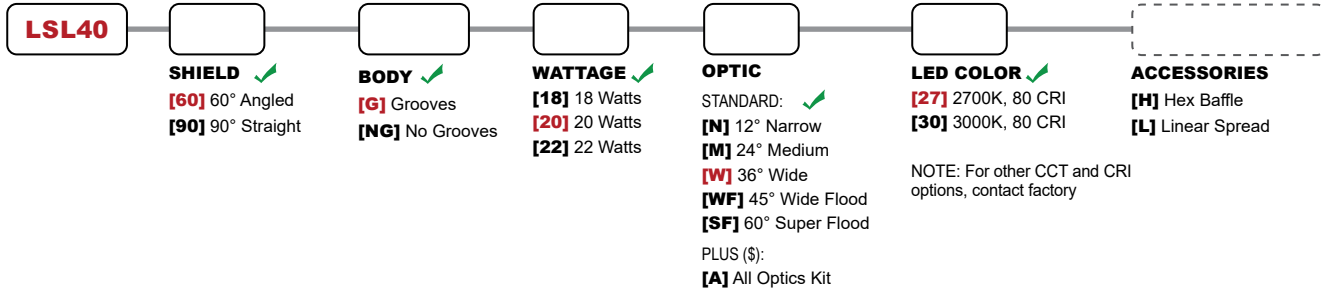
**SEE NEXT PAGE FOR ORDERING INFORMATION**



**ORDERING GUIDE:** <sup>Prefix</sup> **LSL40** L (LED) SL (SPOTLIGHT) 40 (SERIES)

☐ INDICATES REQUIRED FIELD    ☐ INDICATES OPTIONAL FIELD    ✓ INCLUDED IN BASE PRICE    [ \_ ] QUICK SPEC (See Below)


**QUICK SPEC SKU**    **LSL40-G-60-20-W-27-2GS-NAT**




## PHOTOMETRIC OVERVIEW

To download more in-depth IES photometric data, visit [auroralight.com/product/lsl40-sitka/](http://auroralight.com/product/lsl40-sitka/)

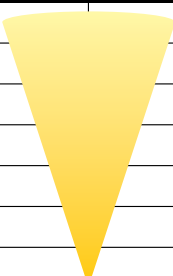
<b>20 Watts 3000K 12° (NARROW) 90° Shield</b> <b>1871 LUMENS • CBCP 14692 • BUG B2 U2 G0</b> AURORALIGHT LSL40-N-30		
30 FT	16.3	8.28
26 FT	21.7	7.18
22 FT	30.4	6.07
18 FT	45.3	4.97
14 FT	75.0	3.86
10 FT	147	2.76
6 FT	408	1.66
Distance From Fixture	Footcandles	Beam Width



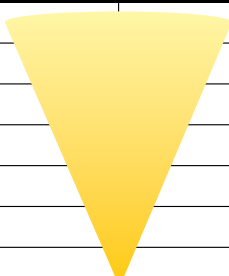
<b>20 Watts 3000K 24° (MEDIUM) 90° Shield</b> <b>1711 LUMENS • CBCP 7734 • BUG B2 U1 G0</b> AURORALIGHT LSL40-M-30		
30 FT	8.59	12.3
26 FT	11.4	10.6
22 FT	16.0	9.00
18 FT	23.9	7.36
14 FT	39.5	5.73
10 FT	77.3	4.09
6 FT	215	2.45
Distance From Fixture	Footcandles	Beam Width



<b>20 Watts 3000K 36° (WIDE) 90° Shield</b> <b>1686 LUMENS • CBCP 2950 • BUG B2 U1 G0</b> AURORALIGHT LSL40-W-30		
30 FT	3.18	21.6
26 FT	4.23	18.7
22 FT	5.91	15.8
18 FT	8.83	12.9
14 FT	14.6	10.1
10 FT	28.6	7.19
6 FT	79.4	4.31
Distance From Fixture	Footcandles	Beam Width



<b>20 Watts 3000K 45° (WIDE FLOOD) 90° Shield</b> <b>1891 LUMENS • CBCP 2942 • BUG B2 U1 G0</b> AURORALIGHT LSL40-WF-30		
30 FT	3.27	24.4
26 FT	4.35	21.2
22 FT	6.08	17.9
18 FT	9.08	14.7
14 FT	15.0	11.4
10 FT	29.4	8.15
6 FT	81.7	4.89
Distance From Fixture	Footcandles	Beam Width



<b>20 Watts 3000K 60° (SUPER FLOOD) 90° Shield</b> <b>1659 LUMENS • CBCP 1863 • BUG B2 U1 G0</b> AURORALIGHT LSL40-SF-30		
30 FT	2.07	27.8
26 FT	2.76	24.1
22 FT	3.85	20.4
18 FT	5.75	16.7
14 FT	9.51	13.0
10 FT	18.6	9.27
6 FT	51.8	5.56
Distance From Fixture	Footcandles	Beam Width

