



## LSL6-FM CYCLOPS

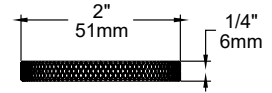
Auroralight's **LSL6 Cyclops** is a Micro-Directional X-Platform IP67 luminaire that features a Thermally Integrated® LED module. The machined ball and socket design incorporates a remarkably small yet capable Cree LED™ powered light engine. The easily replaceable, self-contained ball fits snugly into a precision machined socket for exceptional heat dissipation allowing this tiny luminaire to operate at 3 watts. Offered in 4 unique configurations, a multitude of finishes and 4 interchangeable optics; it is both inconspicuous and versatile.



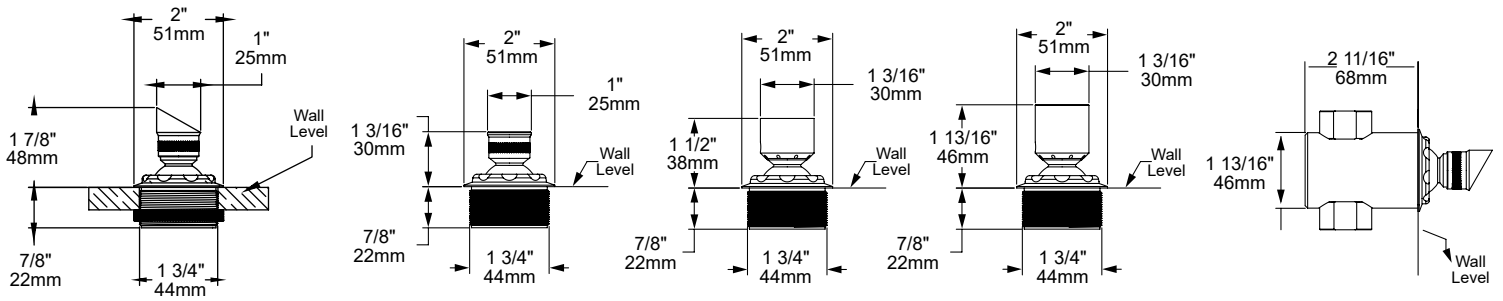
**Features include:**

- 3 Watts up to 171 Lumens
- Cree LED™ XLAMP® High Density (XP-L)
- 4 Interchangeable PMMA Acrylic Optics
- 2700K (80 or 90 CRI), 3000K (80 CRI), 4500K (80 CRI), Amber or Blue
- Thermally Integrated® w/ Copper Core Technology®
- 12V Integral Constant Current Driver (Remote 12V AC/DC Transformer Required)
- Dimmable to <10% (TRIAC/Forward Phase) via Compatible Transformer
- Compatible w/ 12V AC/DC ELV or MLV Transformers
- Solid Brass Construction
- US Patent No: D863,607 S

LSL6-FM-60-BLP  
(Actual Size)  
(Shown with Included Panel Nut)



Included Panel Nut



[60] 60° Angled Shield (Short) w/ Included Panel Nut

[NS] No Shield

[S90] 90° Straight Shield (Short)

[L90] 90° Straight Shield (Long)

Micro J-Box [60] 60° Angled Shield (Short) (Not intended for In-Grade use)

### COPPER CORE TECHNOLOGY.

Copper Core® is a registered trademark of Auroralight. It is synonymous with the mark of quality and integrity. It means that our products are built upon a superior foundation of Solid Copper, ensuring every critical part functions seamlessly together Thermally integrated® one component to the next. Auroralight manufactured without compromise, engineered with passion, made in the USA.

### ALTERNATE CONFIGURATIONS AVAILABLE



LSL6-1/2  
1/2" Male Thread



LSL6-SM  
Surface Mount



LSL6-DL  
Downlight

(SEE INDIVIDUAL CUT SHEETS FOR MORE INFO)



12V



THERMALLY INTEGRATED



CREE LED POWERED



**SEE NEXT PAGE FOR ORDERING INFORMATION**



## LSL6-FM CYCLOPS

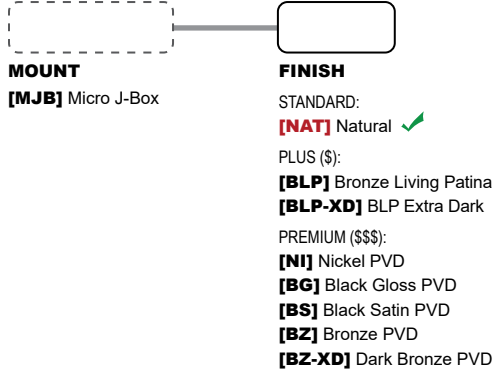
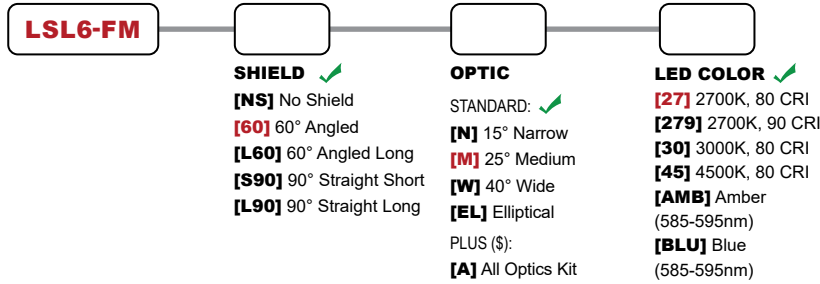


Prefix

**ORDERING GUIDE:** **LSL6-FM** L (LED) SL (SPOTLIGHT) 6 (SERIES) - FM (FLUSH MOUNT)

INDICATES REQUIRED FIELD     INDICATES OPTIONAL FIELD     INCLUDED IN BASE PRICE    [ \_ ] QUICK SPEC (See Below)

**QUICK SPEC SKU**    **LSL6-FM-60-M-27-NAT**



NOTE: For other CCT and CRI options, contact factory

### MOUNT




MJB  
Provides 3 ports for multi-conduit entries

# LSL6-FM CYCLOPS


## PHOTOMETRIC OVERVIEW

To download more in-depth IES photometric data, visit [auroralight.com/product/lsl6-fm-cyclops/](http://auroralight.com/product/lsl6-fm-cyclops/)

<b>3000K 15° (NARROW) OPTIC No Shield</b> <b>145.5 LUMENS • CBCP 1279 • BUG B0 U0 G0</b> AURORALIGHT LSL6-FM-N-30		
30 FT	1.42	3.70
26 FT	1.89	3.21
22 FT	2.64	2.72
18 FT	3.95	2.22
14 FT	6.53	1.73
10 FT	12.8	1.23
6 FT	35.5	0.741
Distance From Fixture	Footcandles	Beam Width



<b>3000K 25° (MEDIUM) OPTIC No Shield</b> <b>171.4 LUMENS • CBCP 516 • BUG B0 U0 G0</b> AURORALIGHT LSL6-FM-M-30		
30 FT	0.574	12.1
26 FT	0.764	10.5
22 FT	1.07	8.88
18 FT	1.59	7.26
14 FT	2.63	5.65
10 FT	5.16	4.03
6 FT	14.3	2.42
Distance From Fixture	Footcandles	Beam Width



<b>3000K 40° (WIDE) OPTIC No Shield</b> <b>155.9 LUMENS • CBCP 275 • BUG B0 U0 G0</b> AURORALIGHT LSL6-FM-W-30		
30 FT	0.306	18.1
26 FT	0.407	15.7
22 FT	0.569	13.3
18 FT	0.850	10.8
14 FT	1.40	8.43
10 FT	2.75	6.02
6 FT	7.65	3.61
Distance From Fixture	Footcandles	Beam Width

