



LSL6-SM CYCLOPS

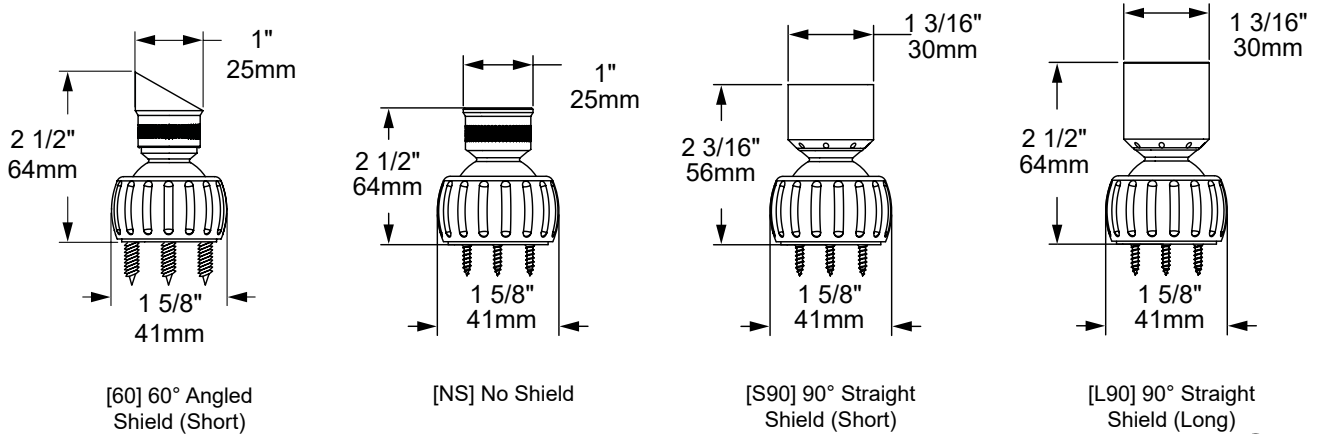
Auroralight's **LSL6 Cyclops** is a Micro-Directional X-Platform IP67 luminaire that features a Thermally Integrated® LED module. The machined ball and socket design incorporates a remarkably small yet capable Cree LED™ powered light engine. The easily replaceable, self-contained ball fits snugly into a precision machined socket for exceptional heat dissipation allowing this tiny luminaire to operate at 3 watts. Offered in 4 unique configurations, a multitude of finishes and 4 interchangeable optics; it is both inconspicuous and versatile.



LSL6-SM-60-BLP
(Actual Size)

Features include:

- 3 Watts up to 171 Lumens
- Cree LED™ XLAMP® High Density (XP-L)
- 4 Interchangeable PMMA Acrylic Optics
- 2700K (80 or 90 CRI), 3000K (80 CRI), 4500K (80 CRI), Amber or Blue
- Thermally Integrated® w/ Copper Core Technology®
- 12V Integral Constant Current Driver (Remote 12V AC/DC Transformer Required)
- Dimmable to <10% (TRIAC/Forward Phase) via Compatible Transformer
- Compatible w/ 12V AC/DC ELV or MLV Transformers
- Solid Brass Construction
- US Patent No: US D863,607 S



COPPER CORE TECHNOLOGY®

Copper Core® is a registered trademark of Auroralight. It is synonymous with the mark of quality and integrity. It means that our products are built upon a superior foundation of Solid Copper, ensuring every critical part functions seamlessly together Thermally integrated® one component to the next. Auroralight manufactured without compromise, engineered with passion, in the USA.

ALTERNATE CONFIGURATIONS AVAILABLE



LSL6-FM
Flush Mount

LSL6-1/2
1/2" Male Thread

LSL6-DL
Downlight

(SEE INDIVIDUAL CUT SHEETS FOR MORE INFO)



12V



THEMALLY INTEGRATED
LED
CREE LED
POWERED



SEE NEXT PAGE FOR ORDERING INFORMATION

LSL6-SM CYCLOPS



Prefix

ORDERING GUIDE: **LSL6-SM** L (LED) SL (SPOTLIGHT) 6 (SERIES) - SM (SURFACE MOUNT)

INDICATES REQUIRED FIELD INDICATES OPTIONAL FIELD INCLUDED IN BASE PRICE [_] QUICK SPEC (See Below)

QUICK SPEC SKU **LSL6-SM-60-M-27-NAT**


LSL6-SM				
	<p>SHIELD <input checked="" type="checkbox"/></p> <p>[NS] No Shield</p> <p>[60] 60° Angled</p> <p>[L60] 60° Angled Long</p> <p>[S90] 90° Straight Short</p> <p>[L90] 90° Straight Long</p>	<p>OPTIC</p> <p>STANDARD: <input checked="" type="checkbox"/></p> <p>[N] 15° Narrow</p> <p>[M] 25° Medium</p> <p>[W] 40° Wide</p> <p>[EL] Elliptical</p> <p>PLUS (\$):</p> <p>[A] All Optics Kit</p>	<p>LED COLOR <input checked="" type="checkbox"/></p> <p>[27] 2700K, 80 CRI</p> <p>[279] 2700K, 90 CRI</p> <p>[30] 3000K, 80 CRI</p> <p>[45] 4500K, 80 CRI</p> <p>[AMB] Amber (585-595nm)</p> <p>[BLU] Blue (585-595nm)</p> <p>NOTE: For other CCT and CRI options, contact factory</p>	<p>FINISH</p> <p>STANDARD:</p> <p>[NAT] Natural <input checked="" type="checkbox"/></p> <p>PLUS (\$):</p> <p>[BLP] Bronze Living Patina</p> <p>[BLP-XD] BLP Extra Dark</p> <p>PREMIUM (\$\$\$):</p> <p>[NI] Nickel PVD</p> <p>[BG] Black Gloss PVD</p> <p>[BS] Black Satin PVD</p> <p>[BZ] Bronze PVD</p> <p>[BZ-XD] Dark Bronze PVD</p>

LSL6-SM CYCLOPS


PHOTOMETRIC OVERVIEW

To download more in-depth IES photometric data, visit auroralight.com/product/lsl6-sm-cyclops/

3000K 15° (NARROW) OPTIC No Shield 145.5 LUMENS • CBCP 1279 • BUG B0 U0 G0 AURORALIGHT LSL6-SM-N-30		
30 FT	1.42	3.70
26 FT	1.89	3.21
22 FT	2.64	2.72
18 FT	3.95	2.22
14 FT	6.53	1.73
10 FT	12.8	1.23
6 FT	35.5	0.741
Distance From Fixture	Footcandles	Beam Width



3000K 25° (MEDIUM) OPTIC No Shield 171.4 LUMENS • CBCP 516 • BUG B0 U0 G0 AURORALIGHT LSL6-SM-M-30		
30 FT	0.574	12.1
26 FT	0.764	10.5
22 FT	1.07	8.88
18 FT	1.59	7.26
14 FT	2.63	5.65
10 FT	5.16	4.03
6 FT	14.3	2.42
Distance From Fixture	Footcandles	Beam Width



3000K 40° (WIDE) OPTIC No Shield 155.9 LUMENS • CBCP 275 • BUG B0 U0 G0 AURORALIGHT LSL6-SM-W-30		
30 FT	0.306	18.1
26 FT	0.407	15.7
22 FT	0.569	13.3
18 FT	0.850	10.8
14 FT	1.40	8.43
10 FT	2.75	6.02
6 FT	7.65	3.61
Distance From Fixture	Footcandles	Beam Width

