

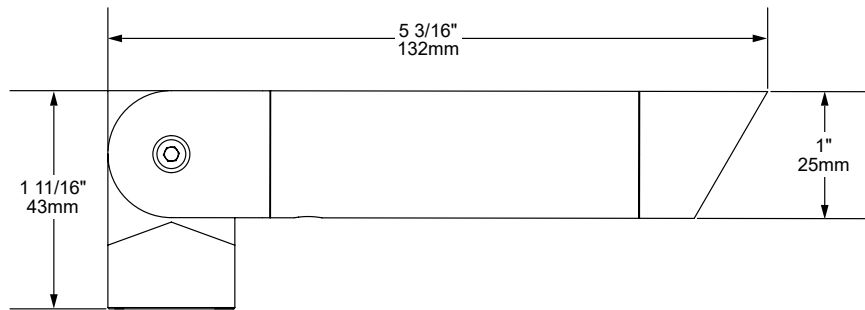


LSL8-BLP

The **LSL8 Cabrillo** is a stealth lighting tool that gives the designer new options when an inconspicuous light source is desired or required. Create a dramatic effect by hiding under eaves, attaching to landscape structures, or mounted in tree canopies. The Cabrillo, like our larger directional luminaires, is a specification-grade product of the highest quality.

Features include:

- Up to 134 Lumens
- 4 Interchangeable PMMA Acrylic Optics
- 2700K (80 & 90 CRI), 3000K (80 CRI), 4500K (80 CRI), Amber or Blue
- Thermally Integrated® w/ Copper Core Technology®
- Aurora Mount System (AMS™) Compatible
- 12V Integral Constant Current Driver (Remote 12V AC/DC Transformer Required)
- Dimmable to <10% (TRIAC/Forward Phase) via Compatible Transformer
- Compatible w/ 12V AC/DC ELV or MLV Transformers
- Solid Brass Construction



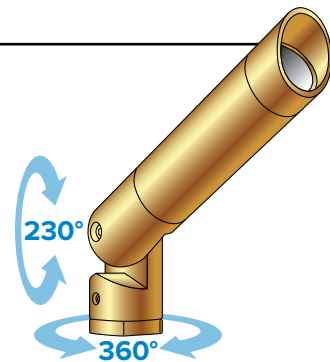
SIDE VIEW

COPPER CORE TECHNOLOGY®

Copper Core® is a registered trademark of Auroralight. It is synonymous with the mark of quality and integrity. It means that our products are built upon a superior foundation of Solid Copper, ensuring every critical part functions seamlessly together Thermally integrated® one component to the next. Auroralight manufactured without compromise, engineered with passion, in the USA.



The Aurora Mount System (AMS™) features 2 axis of adjustment – 360° of fixture rotation at the mount and 230° at the solid brass knuckle. The ultimate in precision aiming without twisting or compromising wire integrity.



12V



Thermally Integrated
CREE LED
POWERED



SEE NEXT PAGE FOR ORDERING INFORMATION





ORDERING GUIDE: ^{Prefix} **LSL8** L (LED) SL (SPOT LIGHT) 8 (SERIES)

INDICATES REQUIRED FIELD INDICATES OPTIONAL FIELD INCLUDED IN BASE PRICE [_] QUICK SPEC (See Below)

QUICK SPEC SKU **LSL8-M-27-BMS-NAT**



LSL8

OPTIC

- STANDARD:
- [N]** 15° Narrow
 - [M]** 25° Medium
 - [W]** 40° Wide
 - [EL]** Elliptical
- PLUS (\$):
- [A]** All Optics Kit

LED COLOR

- [27]** 2700K, 80 CRI
- [279]** 2700K, 90 CRI
- [30]** 3000K, 80 CRI
- [45]** 4500K, 80 CRI
- [AMB]** Amber (585-595nm)
- [BLU]** Blue (585-595nm)

NOTE: For other CCT and CRI options, contact factory



RISER

EXTENDABLE (EXTR):

- [5X10]** 5x10"
- [7X14]** 7x14"
- [9X18]** 9x18"
- [11X22]** 11x22"
- [18X36]** 18x36"

SUBTERRANEAN (EXTENDABLE):

- (Mounts are not applicable with STR)
- [STR-12]** 12" above grade 13 1/2" below
 - [STR-18]** 18" above grade 19 1/2" below

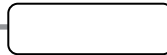
FIXED:

- [FR-4]** 4"
- [FR-8]** 8"
- [FR-12]** 12"
- [FR-16]** 16"
- [FR-18]** 18"

90° & TEE OPTIONS:

Add **-90** (for 90°) or **-T** (for Tee) to any of the riser part numbers above.

NOTE: Risers are not compatible with AMS Mounts.



MOUNT

NO MOUNT:

- [1/2]** 1/2" (NPS) Universal Thread

GROUND:

- [AGS]** AMS Ground Stake
- [BMS]** Brass Micro Spike
- [2GS]** Ground Stake w/ 2" Cap
- [DS]** 9" Deluxe Spike
- [TR-12]** 12" Trident Spike
- [JB3-S]** 3" Junction Box w/ PVC Stake
- [PB-S]** Power Box w/ PVC Stake Incl. w/ 60W 120-12V Trans.
- [PM-60-1]** Concrete Pedestal Mount w/ 60W 120-12V Trans. (Single Hole/One Fixture)
- [PM-60-2]** Concrete Pedestal Mount w/ 60W 120-12V Trans. (Double Hole/Two Fixtures)

TREE:

- [TS-LD-36]** 36" Tree Strap - Light Duty
- [BTM]** Bolt-On Tree Mount
- [STM]** Screw-In Tree Mount

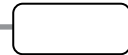
SURFACE:

- [SMJB-1-5]** Surface Mount J-Box (Single Hole/One Fixture) w/ 5 KO
- [SMJB-2-5]** Surface Mount J-Box (Double Hole/Two Fixtures) w/ 5 KO
- [SM2]** 2" Surface Mount
- [SM3]** 3" Surface Mount
- [TM]** AMS Trellis Mount
- [SB]** AMS Splice Box

COVER PLATE:

- [CP35-BR]** 3 1/2" Brass Cover Plate
- [CP4-BR]** 4" Brass Cover Plate
- [CP14]** 4" AMS J-Box Cover Plate
- [CP45-BR]** 4 1/2" Brass Cover Plate
- [MC45-1]** 4 1/2" Mount Canopy (Single Hole/One Fixture)
- [MC45-2]** 4 1/2" Mount Canopy (Double Hole/Two Fixtures)
- [PC-60-1]** 4 1/2" Power Canopy Incl. w/ 60W 120-12V Trans. (Single Hole/One Fixture)
- [PC-60-2]** 4 1/2" Power Canopy Incl. w/ 60W 120-12V Trans. (Double Hole/Two Fixtures)

NOTE: Universal adapter included w/ fixture, except where AMS is noted. Most common configurations listed above; See Mount/Riser spec sheets for all options.



FINISH

STANDARD:

- [NAT]** Natural

PLUS (\$):

- [BLP]** Bronze Living Patina
 - [BLP-XD]** BLP Extra Dark
- PREMIUM (\$\$\$):
- [NI]** Nickel PVD
 - [PVD]** PVD Color (Contact Factory for Color Options)

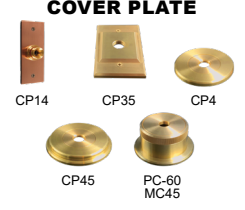
MOST POPULAR MOUNT OPTIONS



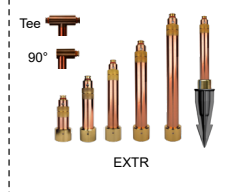
GROUND



COVER PLATE



EXTENDABLE



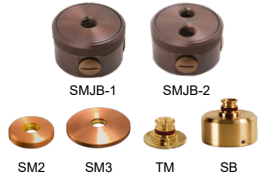
SUBTERRANEAN (EXTENDABLE)



FIXED



SURFACE



TREE



LSL8 CABRILLO

PHOTOMETRIC OVERVIEW

Information based on 3000K 25° optic. To download more in-depth IES photometric data, visit auroralight.com/product/lsl8-cabrillo/

3000K 25° (MEDIUM) OPTIC 134.5 LUMENS • CBCP 393 • BUG AURORALIGHT LSL8-M-30		
30 FT	0.431	11.8
26 FT	0.574	10.2
22 FT	0.802	8.67
18 FT	1.20	7.09
14 FT	1.98	5.52
10 FT	3.88	3.94
6 FT	10.8	2.36
Distance From Fixture	Footcandles	Beam Width

