

LSR3-L VERTEX

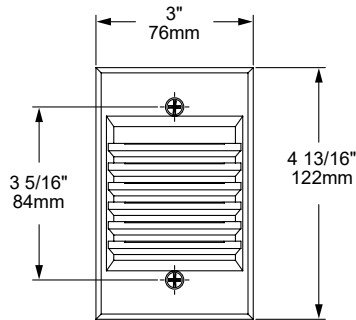
The **LSR3-L Vertex** is a low-energy recessed mount LED step light for interior or wet location use that offers excellent low-level illumination. Designed to fit any standard single-gang junction box. An optional stainless box is available, which allows the faceplate to be adjusted up to 1/2" should the receptacle be "out-of-plumb." The included high-density EPDM rubber gasket ensures internal components are protected from moisture and prevents light spill. The faceplate is precision machined from solid brass. Manufactured entirely in the USA; exclusively by Auroralight.



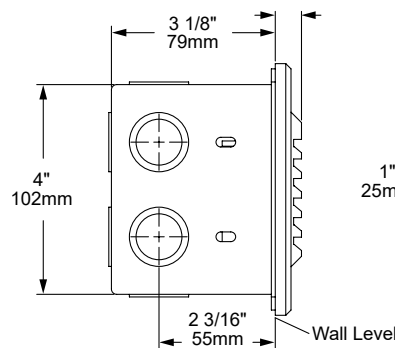
LSR3-L-NB-NAT
Shown w/ optional [B]

Features include:

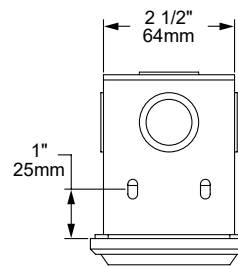
- 4 Watts up to 50 Lumens
- Cree LED™ XLAMP® (XP-L)
- 2700K (80 CRI), 3000K (80 CRI), or 4500K (80 CRI)
- Thermally Integrated® w/ Copper Core Technology®
- 12V Integral Constant Current Driver (Remote 12V AC/DC Transformer Required)
- Dimmable to <10% (TRIAC/Forward Phase) via Compatible Transformer
- Compatible w/ 12V AC/DC MLV or ELV Transformers
- Solid Brass Faceplate



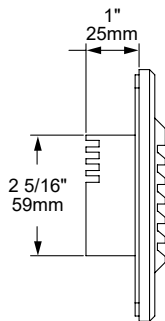
Front View



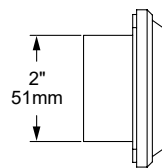
Side View w/ Back Box



Top View w/ Back Box



Side View
w/o Back Box



Top View
w/o Back Box

COPPER CORE TECHNOLOGY®

Copper Core® is a registered trademark of Auroralight. It is synonymous with the mark of quality and integrity. It means that our products are built upon a superior foundation of Solid Copper, ensuring every critical part functions seamlessly together Thermally integrated® one component to the next. Auroralight manufactured without compromise, engineered with passion, in the USA.



SEE NEXT PAGE FOR ORDERING INFORMATION

LSR3-L VERTEX



Prefix

ORDERING GUIDE: **LSR3-L** L (LED) S (STEP LIGHT) R (RECTANGULAR) 3 (SERIES) L (LOUVER)

INDICATES REQUIRED FIELD INDICATES OPTIONAL FIELD INCLUDED IN BASE PRICE [_] QUICK SPEC (See Below)

QUICK SPEC SKU **LSR3-L-27-B-NAT**

LSR3-L

LED COLOR ✓

- [27]** 2700K, 80 CRI
- [30]** 3000K, 80 CRI
- [45]** 4500K, 80 CRI

NOTE: For other CCT and CRI options, contact factory. CCT 3000K or less required for Dark Sky compliance.

MOUNT

- [B]** Back Box
- [NB]** No Box ✓

FINISH

STANDARD:

- [NAT]** Natural ✓

PLUS (\$):

- [BLP]** Bronze Living Patina
- [BLP-XD]** BLP Extra Dark

PREMIUM (\$\$\$):

- [NI]** Nickel PVD
- [BG]** Black Gloss PVD
- [BS]** Black Satin PVD
- [BZ]** Bronze PVD
- [BZ-XD]** Dark Bronze PVD
- [PC]** Powder Coat Custom Color
(Contact Factory for Color Options)

MOUNTS



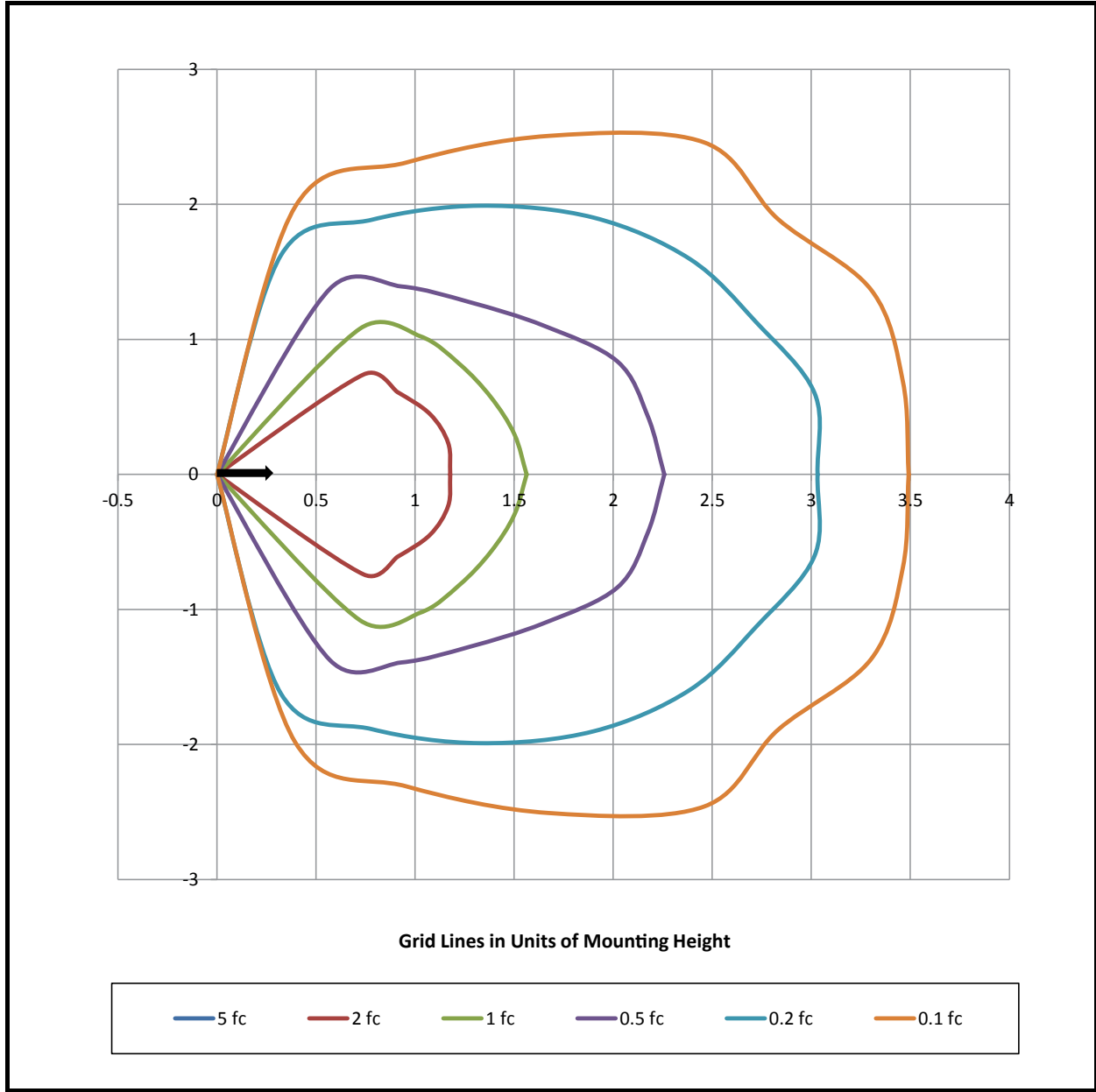
Back Box

LSR3-L VERTEX

PHOTOMETRIC OVERVIEW

To download more in-depth IES photometric data, visit auroralight.com/product/lsr3-l-vertex/

Mounting Height - 2 Feet



BUG Rating B0 U1 G0