

The **LSW3-SQ Quad**; a fixed-aim wall and step luminaire, is among the newest efforts from Auroralight. It represents a new class of lighting tool that features our robust and popular LM16 Copper Core® LED module that is Thermally Integrated® with the solid brass bezel for superior heat dissipation; allowing high performance and long life. The LSW3-SQ is precision machined from a massive block of solid C3600 brass bar on our ultra-modern 5 axis CNC equipment. The result will not disappoint as it exudes both quality and glare-free illumination.



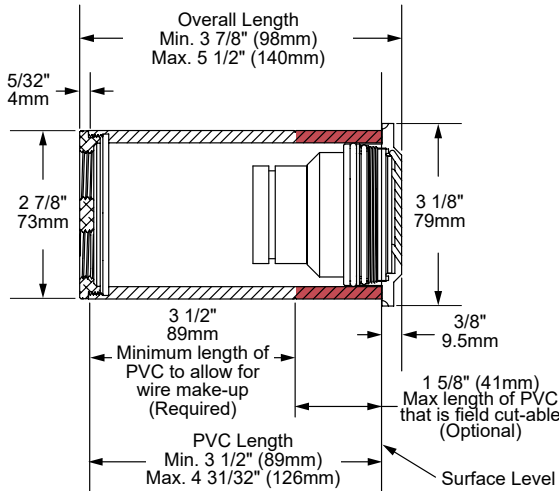
LSW3-SQ-BLP  
Shown w/ optional [FM]



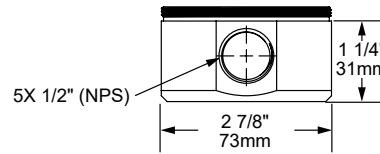
LSW3-SQ-NAT  
Shown w/ optional [FM]

**Features include:**

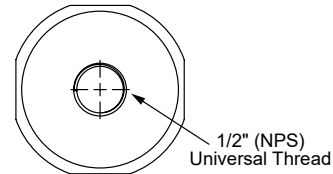
- Interchangeable LED Module in 4 or 6 Watts up to 46 Lumens
- 2700K (80 & 90 CRI), 3000K (80 CRI), or 4000K (80 CRI)
- Thermally Integrated® w/ Copper Core Technology®
- 12V Integral Constant Current Driver (Remote 12V AC/DC Transformer Required)
- Dimmable to <10% (TRIAC/Forward Phase) via Compatible Transformer
- Compatible w/ 12V AC/DC MLV or ELV Transformers
- Solid Brass Construction
- Ships Complete with J-Box Assembly
- Flush Mount Trim Option Available



Shown w/ [JBA]  
J-Box Assembly  
(Included)



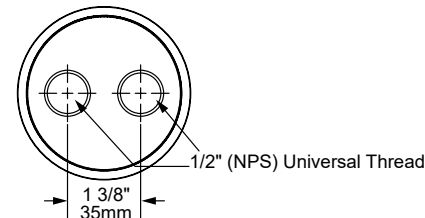
[CHA] & [CHB] Conduit Hub (Optional)



[CHA] & [CHB] Bottom View



[JBA] Mount Side View



[JBA] Mount Bottom View

The FIT™ IP67 module is built on Auroralight's Copper Core Technology® platform and includes FIT™ Acrylic Optics.

**COPPER CORE TECHNOLOGY®**

12V

THERMALLY INTEGRATED

CREE LED POWERED

IDA DARK SKY APPROVED

IP67

**SEE NEXT PAGE FOR ORDERING INFORMATION**



Prefix

**ORDERING GUIDE:** **LSW3-SQ** L (LED) SW (STEP/WALL LIGHT) 3 (SERIES) SQ (SQUARE)

INDICATES REQUIRED FIELD     INDICATES OPTIONAL FIELD     INCLUDED IN BASE PRICE    [ \_ ] QUICK SPEC (See Below)

**QUICK SPEC SKU**    **LSW3-SQ-6-27-JBA-NAT**

**LSW3-SQ**

**WATTAGE** ✓

- [4]** 4 Watts
- [6]** 6 Watts

**LED COLOR** ✓

- [27]** 2700K, 80 CRI
- [279]** 2700K, 90 CRI
- [30]** 3000K, 80 CRI
- [40]** 4000K, 80 CRI

NOTE: For other CCT and CRI options, contact factory. CCT 3000K or less required for Dark Sky compliance.

**MOUNT**

- [JBA]** 3" dia. J-Box Assembly w/ Aluminum Back Plate and (2) 1/2" Rear Knockouts ✓
- [CHA]** 3" dia. Conduit Hub, Aluminum w/ (4) 1/2" Side and (1) 1/2" Rear Knockout
- [CHB]** 3" dia. Conduit Hub, Brass w/ (4) 1/2" Side and (1) 1/2" Rear Knockout

**MOUNT ACCESSORIES**

- [FM]** Flush-Mount Adapter

**FINISH**

- STANDARD: **[NAT]** Natural ✓
- PLUS (\$):
- [BLP]** Bronze Living Patina
  - [BLP-XD]** BLP Extra Dark
- PREMIUM (\$\$\$):
- [NI]** Nickel PVD
  - [BG]** Black Gloss PVD
  - [BS]** Black Satin PVD
  - [BZ]** Bronze PVD
  - [BZ-XD]** Dark Bronze PVD
  - [PC]** Powder Coat Custom Color (Contact Factory for Color Options)

**MOUNTS**



**[JBA]**  
J-Box  
Assembly



**[CHA]**  
Aluminum  
Conduit Hub



**[CHB]**  
Brass  
Conduit Hub

**MOUNT ACCESSORIES**



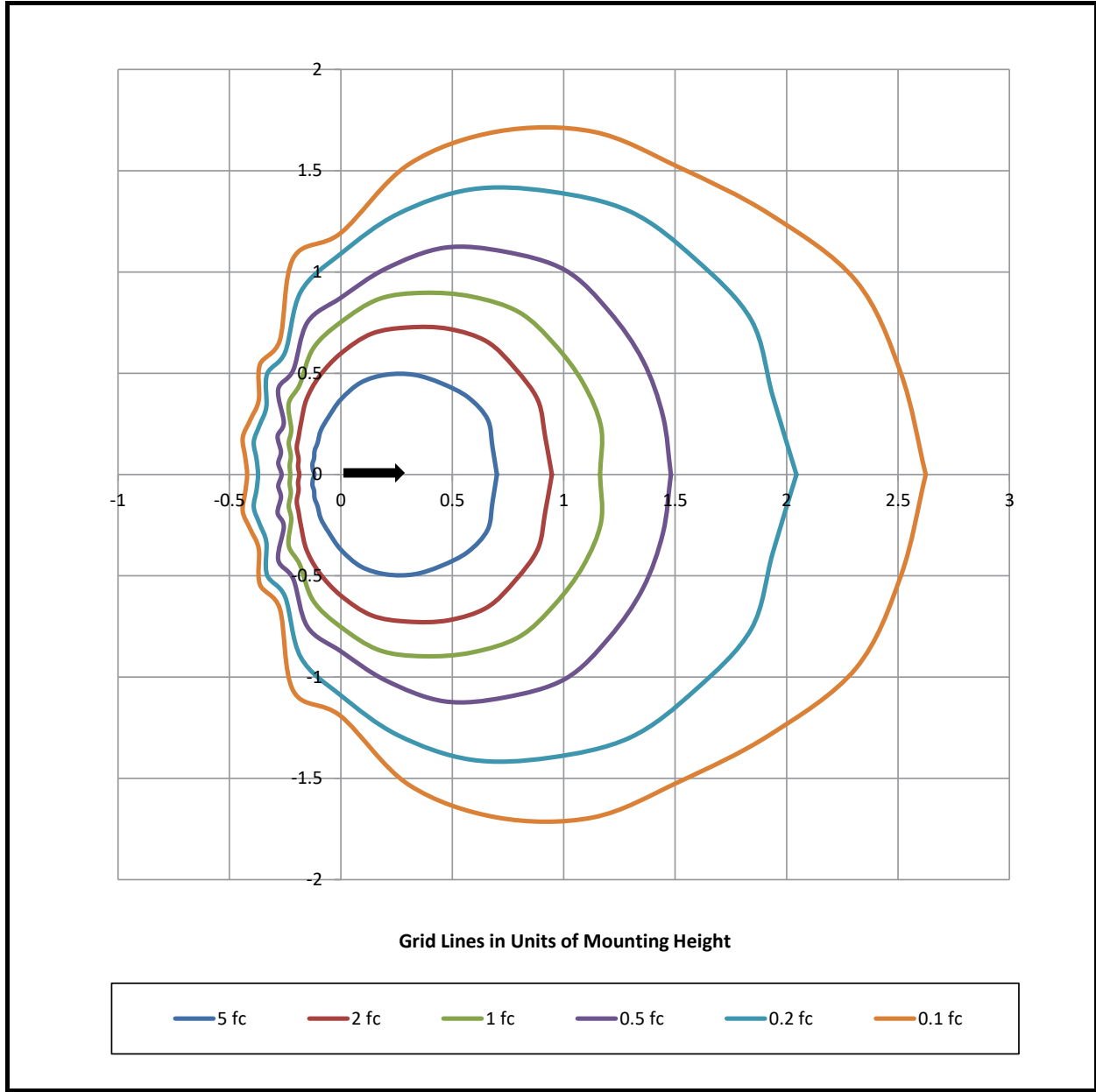
**[FM]**  
Flush-Mount  
Adapter

# LSW3-SQ QUAD

## PHOTOMETRIC OVERVIEW

Information based on 6 Watts. To download more in-depth IES photometric data, visit [auroralight.com/product/lsw3-sq-quad/](http://auroralight.com/product/lsw3-sq-quad/)

Mounting Height - 2 Feet



**BUG Rating** B0 U0 G0