

LSW8-PL MERIDIAN

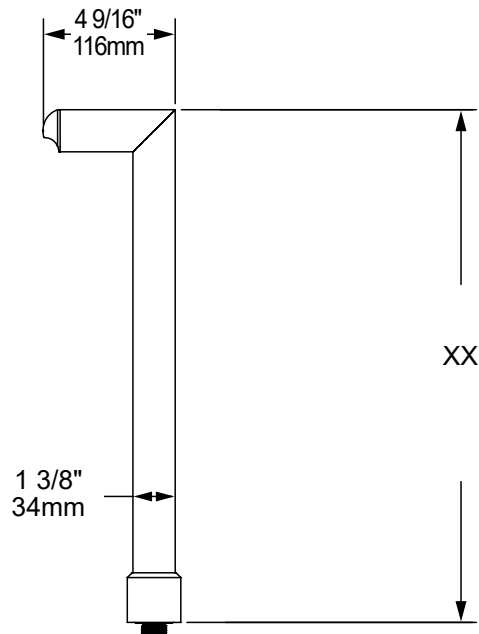
The **LSW8-PL Meridian** is an ideal solution for uniform spacing and light levels in the absence of a structure. Its small aperture effectively shields against glare while allowing for excellent forward projection with even illumination side to side. Pair with our LSW8 step/wall light for design continuity throughout your project.


Features include:

- 1.25 Watts up to 45 Lumens
- Cree LED™ XP-L® High Density
- 2700K (80 & 90 CRI), 3000K (80 CRI), 4000K (80 CRI) or Amber 585-595nm
- Thermally Integrated® and Field Serviceable LED Module
- 12V Integral Driver, Dimmable to <10% typ.
- Compatible w/ 12V AC/DC ELV or MLV Transformers
- Solid Copper and Brass Construction



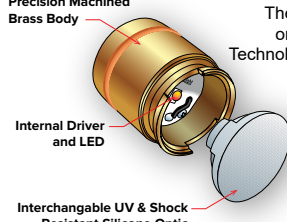
LSW8-PL-BLP






FIELD-INTERCHANGEABLE TECHNOLOGY

The FIT™ IP67 module is built on Auroralight's Copper Core Technology® platform and includes FIT™ Acrylic Optics.



- Precision Machined Brass Body
- Internal Driver and LED
- Interchangeable UV & Shock Resistant Silicone Optic

COPPER CORE TECHNOLOGY®



12V



THERMALLY INTEGRATED



CREE LED POWERED



ida DARK SKY APPROVED



IP67

SEE NEXT PAGE FOR ORDERING INFORMATION

LSW8-PL MERIDIAN



ORDERING GUIDE: ^{Prefix} **LSW8-PL** L (LED) SW (STEP/WALL) 8 (8 X 1/8 INCHES) PL (PATH LIGHT)

INDICATES REQUIRED FIELD INDICATES OPTIONAL FIELD INCLUDED IN BASE PRICE [_] QUICK SPEC (See Below)

QUICK SPEC SKU **LSW8-PL-BR-W-27-16-2GS-NAT**

LSW8-PL	<input type="checkbox"/>	<input type="checkbox"/>	<input type="checkbox"/>	<input type="checkbox"/>	<input type="checkbox"/>
OPTIC	LED COLOR	HEIGHT	MOUNT	FINISH	
STANDARD: <input checked="" type="checkbox"/>	[27] 2700K, 80CRI <input checked="" type="checkbox"/>	[12] 12" <input checked="" type="checkbox"/>	NO MOUNT:	STANDARD:	
[N] 15° Narrow	[279] 2700K, 90CRI	[14] 14"	[1/2] 1/2" Male Thread	[NAT] Natural <input checked="" type="checkbox"/>	
[M] 25° Medium	[30] 3000K, 80CRI	[16] 16"	GROUND:	PLUS (\$):	
[W] 40° Wide	[40] 4000K, 80CRI	[XX] Specify	[2GS] Ground Stake w 2" Cap <input checked="" type="checkbox"/>	[BLP] Bronze Living Patina	
[WF] 60° Wide Flood	[AMB] Amber (585-595nm)		[3GS] Ground Stake w 3" Cap	[BLP-XD] BLP Extra Dark	
PLUS (\$):	NOTE: For other CCT and CRI options, contact factory. CCT 3000K or less required for Dark Sky compliance.		[325GS] Ground Stake w 3 1/4" Cap		
[A] All Optics			[DS] Deluxe Spike 9"		
			[TR-12] Trident Spike		
			[JB3-S] 3" J-Box w/ Stake		
			[PB-S] Power Box w/ Stake (Inc. 60W 120-12V trans.)		
			[PM-60] 4" Pedestal Mount		
			SURFACE:		
			[SM2] 2 1/4" Surface Mount		
			[SM3] 3 1/4" Surface Mount		

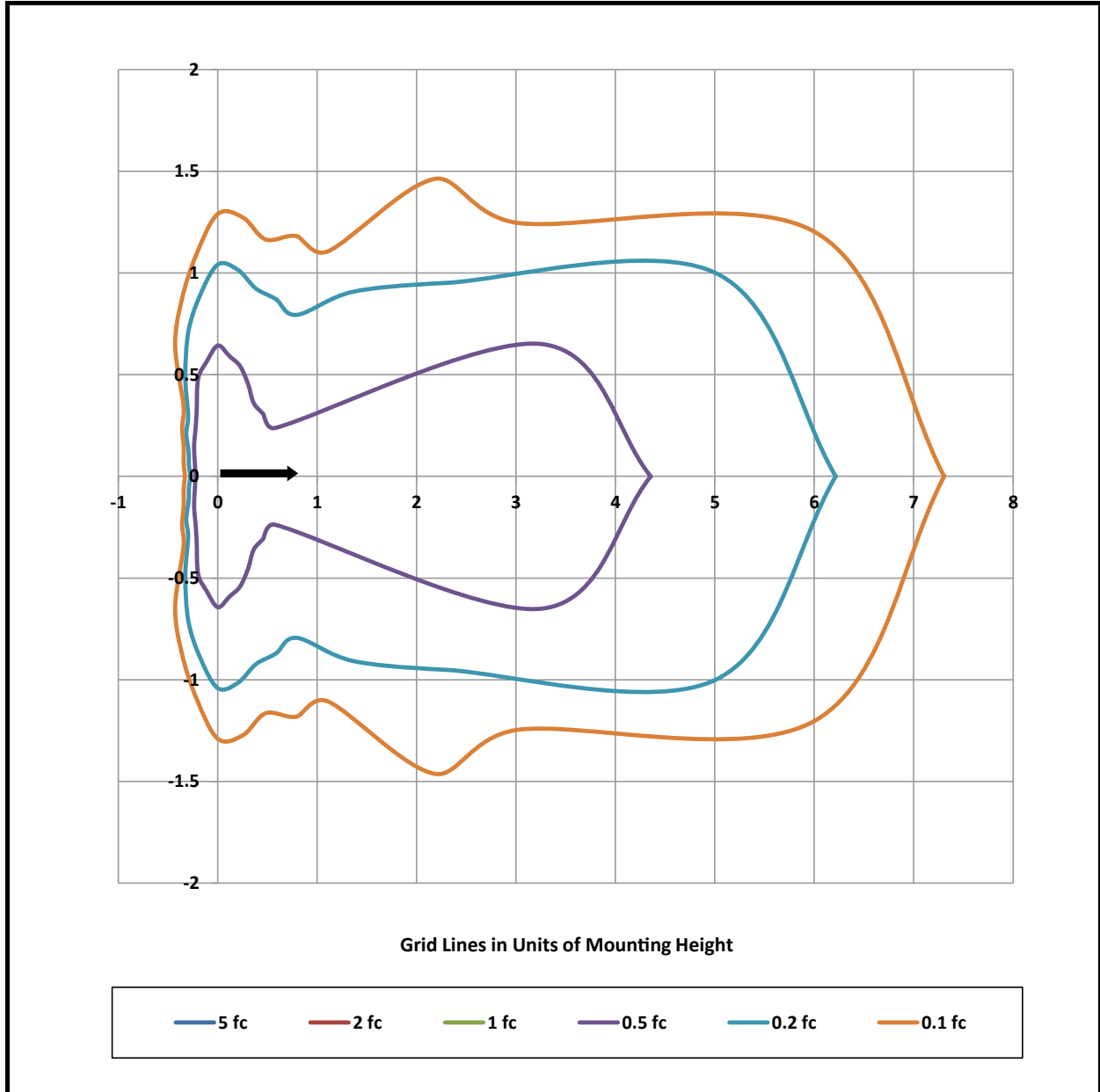


LSW8-PL MERIDIAN

PHOTOMETRIC OVERVIEW

Information based on 40° Wide Optic. To download more in-depth IES photometric data, visit auroralight.com/product/lsw8-pl-meridian/

Mounting Height - 2 Feet



BUG Rating B0 U1 G0