



LWL2-BLP
Shown w/ [JBA] & optional [H]

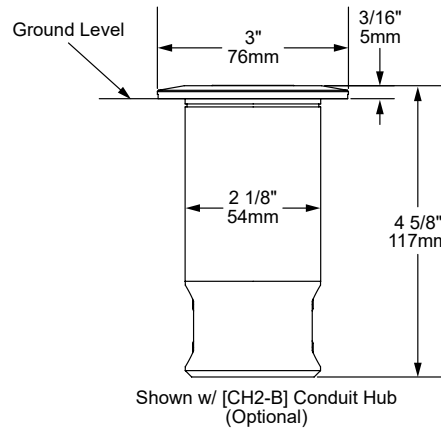
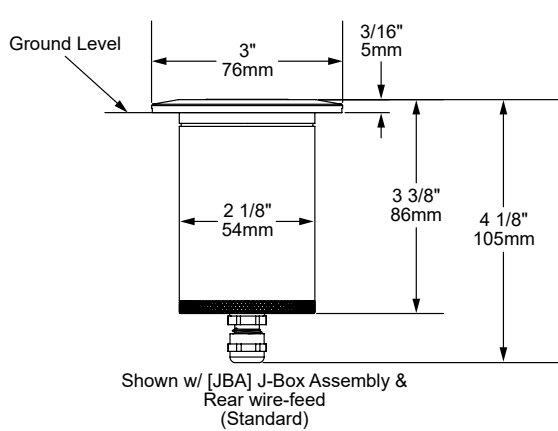


LWL2-NAT
Shown w/ [JBA] & optional [H]

The **LWL2 Metro** a fixed-aim in-grade luminaire, is among the newest efforts from Auroralight. It represents a new class of lighting tool that features our robust and popular LM11 Copper Core® LED module. It is easily serviceable and is Thermally Integrated® with the solid brass bezel for superior heat dissipation. Availability of light shaping accessories makes this cost-effective fixture is a highly capable tool in your lighting arsenal.

Features include:

- Interchangeable LED Module in 2 or 4 Watts up to 300 Lumens
- Interchangeable UV Resistant, Self-Aligning and Self-Sealing Silicone (TIR) Optics (U.S. Patent No. 10,655,799) from 15° to 60°
- 2700K (80 & 90 CRI), 3000K (80 CRI), or 4500K
- Thermally Integrated® w/ Copper Core Technology®
- 12V Integral Constant Current Driver (Remote 12V AC/DC Transformer Required)
- Dimmable to <10% (TRIAC/Forward Phase) via Compatible Transformer
- Compatible w/ 12V AC/DC MLV or ELV Transformers
- Solid Brass and Copper Construction
- Drive-over Rated Up To 6,000 lbs.



FIT
FIELD-INTERCHANGEABLE TECHNOLOGY

The FIT™ IP67 module is built on Auroralight's Copper Core Technology® platform and includes FIT™ Acrylic Optics.

Brass Body

Internal Driver and LEDs

UV Resistant Optic

Threaded Compression Cap

COPPER CORE TECHNOLOGY.

COPPER CORE TECHNOLOGY.

Copper Core® is a registered trademark of Auroralight. It is synonymous with the mark of quality and integrity. It means that our products are built upon a superior foundation of Solid Copper, ensuring every critical part functions seamlessly together Thermally integrated® one component to the next. Auroralight manufactured without compromise, engineered with passion, in the USA.

12V

THERMALLY INTEGRATED

CREE LED POWERED

DRIVE-OVER RATED

IP67

IC RATED

SEE NEXT PAGE FOR ORDERING INFORMATION



ORDERING GUIDE: ^{Prefix} **LWL2** L (LED) WL (WELL LIGHT) 2 (SERIES)

☐ INDICATES REQUIRED FIELD ☐ INDICATES OPTIONAL FIELD ✓ INCLUDED IN BASE PRICE [_] QUICK SPEC (See Below)

QUICK SPEC SKU **LWL2-2-W-27-H-JBA-NAT**

LWL2						
	WATTAGE ✓ [2] 2 Watts [4] 4 Watts	OPTIC STANDARD: ✓ [N] 15° Narrow [M] 25° Medium [W] 40° Wide [WF] 60° Wide Flood PLUS (\$): [A] All Optics Kit	LED COLOR ✓ [27] 2700K, 80CRI [279] 2700K, 90CRI [30] 3000K, 80CRI [45] 4500K, 80 CRI NOTE: For other CCT and CRI options, contact factory	ACCESSORIES [H] Hex Baffle ✓	MOUNT [JBA] 2" dia. J-Box Assembly w/Brass Back Plate and Rear Cable Feed ✓ [CH2-B] 2" dia. Conduit Hub, Brass w/ (2) 1/2" Side and (1) 1/2" Rear Knockout	FINISH STANDARD: [NAT] Natural ✓ PLUS (\$): [BLP] Bronze Living Patina [BLP-XD] BLP Extra Dark PREMIUM (\$\$\$): [NI] Nickel PVD [BG] Black Gloss PVD [BS] Black Satin PVD [BZ] Bronze PVD [BZ-XD] Dark Bronze PVD [PC] Powder Coat Custom Color (Contact Factory for Color Options)

ACCESSORIES



[H]
Hex Baffle

MOUNTS



[JBA]
J-Box
Assembly




[CH2-B]
Brass Conduit
Hub

LWL2 METRO


PHOTOMETRIC OVERVIEW

Information based on 3000K. To download more in-depth IES photometric data, visit auroralight.com/product/lwl2-metro/

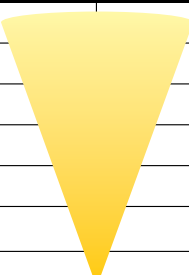
2 Watts 3000K 15° (NARROW) 135.6 LUMENS • CBCP 740 AURORALIGHT LWL2-2-N-30		
30 FT	0.822	9.53
26 FT	1.09	8.26
22 FT	1.53	6.99
18 FT	2.28	5.72
14 FT	3.77	4.45
10 FT	7.40	3.18
6 FT	20.5	1.91
Distance From Fixture	Footcandles	Beam Width



2 Watts 3000K 25° (MEDIUM) 141.1 LUMENS • CBCP 524 AURORALIGHT LWL2-2-M-30		
30 FT	0.582	13.0
26 FT	0.775	11.2
22 FT	1.08	9.52
18 FT	1.62	7.79
14 FT	2.67	6.06
10 FT	5.24	4.33
6 FT	14.6	2.60
Distance From Fixture	Footcandles	Beam Width



4 Watts 3000K 40° (WIDE) 300.0 LUMENS • CBCP 1037 AURORALIGHT LWL2-4-W-30		
30 FT	4.05	7.59
26 FT	5.29	6.65
22 FT	7.20	5.70
18 FT	10.4	4.75
14 FT	16.2	3.80
10 FT	28.8	2.85
6 FT	64.8	1.90
Distance From Fixture	Footcandles	Beam Width



2 Watts 3000K 60° (WIDE FLOOD) 114.7 LUMENS • CBCP 155 AURORALIGHT LWL2-2-WF-30		
30 FT	0.172	23.7
26 FT	0.230	20.6
22 FT	0.321	17.4
18 FT	0.479	14.2
14 FT	0.792	11.1
10 FT	1.55	7.91
6 FT	4.31	4.74
Distance From Fixture	Footcandles	Beam Width

