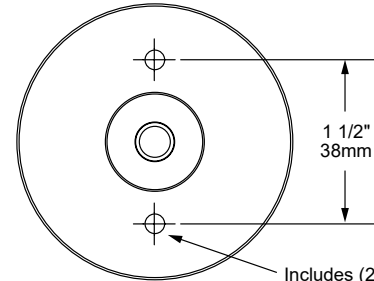
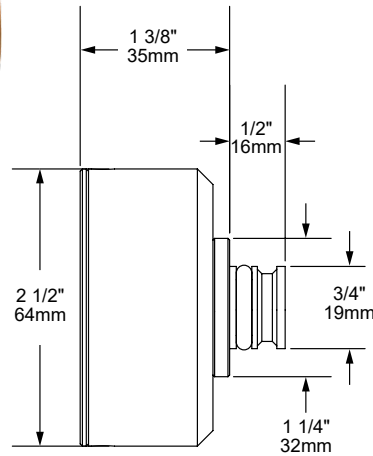


SB SPLICE BOX

The **SB Splice Box**, part of the most diverse surface mount offerings available, is a solid brass mounting solution with a concealed wiring compartment. Featuring our Aurora Mount System (AMS) built into the splice box for maximum aim-ability and 360° of fixture rotation, the 2 1/2" diameter box is secured to a mounting plate with set screws and sealed with an O-ring. The electrical splice is hidden inside the box for a neat, clean installation. The SB is ideal for attaching our luminaires to a flat surface, whether it is a wall, ceiling, or structure.



SB-BLP



Inside View

Includes (2) #6 X 1" Screws



ORDERING GUIDE: ^{Prefix} **SB** S (SPLICE) B (BOX)

□ INDICATES REQUIRED FIELD □ INDICATES OPTIONAL FIELD ✓ INCLUDED IN BASE PRICE



FIXTURE ATTACHMENT

[HL] Hanging Light Ring

FINISH

STANDARD:

[NAT] Natural ✓

PLUS (\$):

[BLP] Bronze Living Patina

[BLP-XD] BLP Extra Dark

PREMIUM (\$\$\$):

[NI] Nickel PVD

[BG] Black Gloss PVD

[BS] Black Satin PVD

[BZ] Bronze PVD

[BZ-XD] Dark Bronze PVD

FIXTURE ATTACHMENT



[HL]

AMS COMPATIBLE FIXTURES

