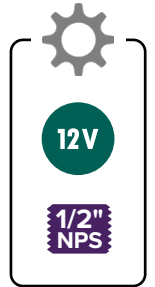
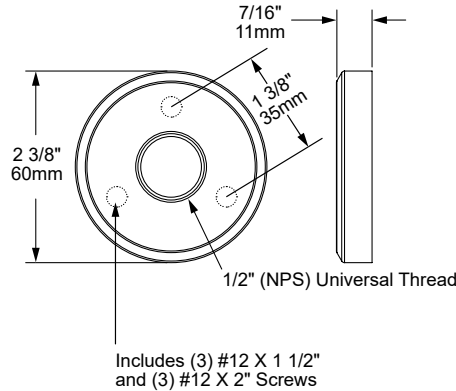


SM2 SURFACE MOUNT

The **SM2 Surface Mount**, part of the most diverse surface mount offerings available, is machined from solid brass and includes a beautiful copper cover plate. The SM2 utilizes a STANDARD: 1/2" (NPS) Universal Thread for near limitless compatibility with other fixtures. The SM2 is ideal for attaching our luminaires to a flat surface, whether it is wood or concrete.



ORDERING GUIDE: ^{Prefix} **SM2** S (SURFACE) M (MOUNT) 2 (INCHES)

□ INDICATES REQUIRED FIELD □ INDICATES OPTIONAL FIELD ✓ INCLUDED IN BASE PRICE

SM2		
FIXTURE ATTACHMENT	FINISH	
*[HL] Hanging Light Ring	STANDARD:	
	[NAT] Natural ✓	
	PLUS (\$):	
	[BLP] Bronze Living Patina	
	[BLP-XD] BLP Extra Dark	
	PREMIUM (\$\$\$):	
	[NI] Nickel PVD	
	[BG] Black Gloss PVD	
	[BS] Black Satin PVD	
	[BZ] Bronze PVD	
	[BZ-XD] Dark Bronze PVD	

