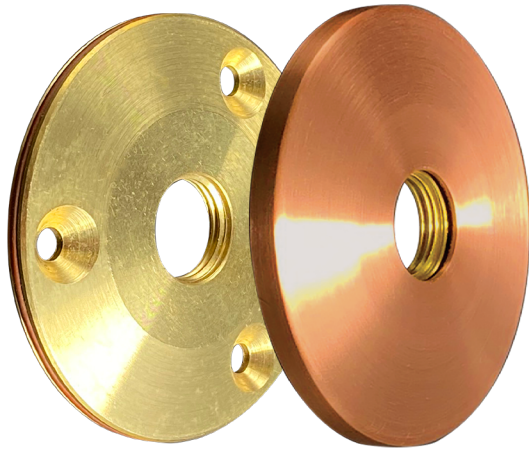


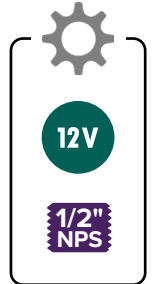
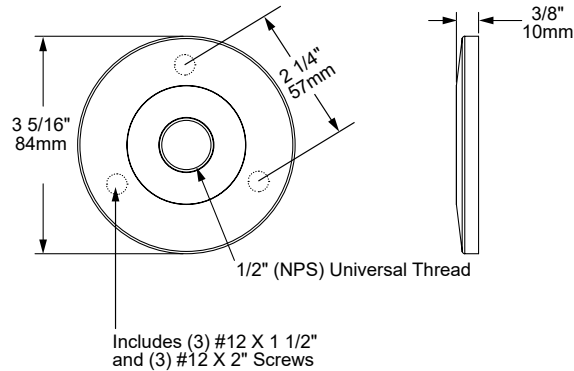


SM3 SURFACE MOUNT

The **SM3 Surface Mount**, part of the most diverse surface mount offerings available, is machined from solid brass and includes a beautiful Copper cover plate. The SM3 utilizes a STANDARD: 1/2" (NPS) Universal Thread for near limitless compatibility with other fixtures. The SM3 is ideal for attaching our luminaires to a flat surface, whether wood or concrete.



SM3-NAT



ORDERING GUIDE: ^{Prefix} **SM3** S (SURFACE) M (MOUNT) 3 (INCHES)

□ INDICATES REQUIRED FIELD □ INDICATES OPTIONAL FIELD ✓ INCLUDED IN BASE PRICE



FIXTURE ATTACHMENT

*[HL] Hanging Light Ring

FINISH

STANDARD:

[NAT] Natural ✓

PLUS (\$):

[BLP] Bronze Living Patina

[BLP-XD] BLP Extra Dark

PREMIUM (\$\$\$):

[NI] Nickel PVD

[BG] Black Gloss PVD

[BS] Black Satin PVD

[BZ] Bronze PVD

[BZ-XD] Dark Bronze PVD

FIXTURE ATTACHMENT



[HL]