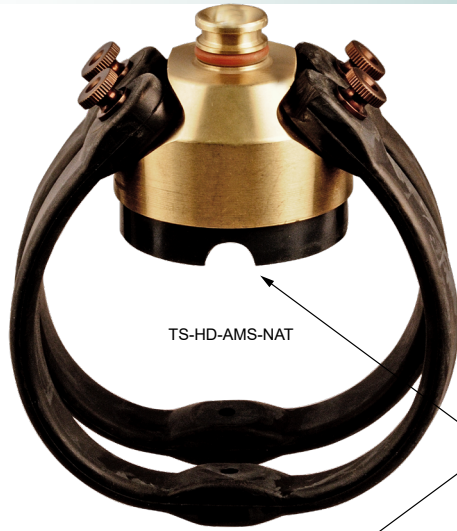


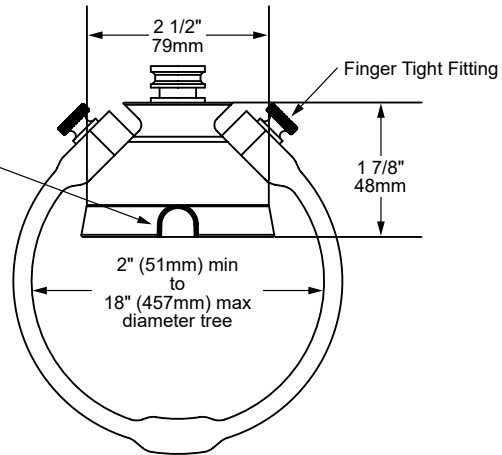
## TS-HD TREE STRAP





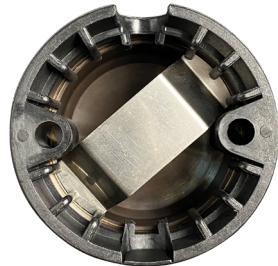
TS-HD-AMS-NAT

The **TS-HD Tree Strap Heavy-Duty**, part of a robust offering from Auroralight, is a passive fixture mounting system making it ideal for use on valuable specimen trees. The TS-HD is machined from solid brass for durability and features a nylon base with multiple wire exit ports. The TS-HD supports luminaires up to 5.5lb in weight and is supplied with two UV stabilized EPDM rubber straps to hold the fixture firmly; no tools are required. At the same time, the highly elastic material allows for uninhibited tree growth. For easy and safe installation, pre-wire the luminaires on the ground, and use the supplied stainless-steel retention clip to hold connectors inside each brass fitting.

Wire Knock-Out





Includes stainless steel retention clip for simple wire management

**ORDERING GUIDE:** <sup>Prefix</sup> **TS-HD** T (TREE) S (STRAP) H (HEAVY) D (DUTY)

INDICATES REQUIRED FIELD  
  INDICATES OPTIONAL FIELD  
 ✓ INCLUDED IN BASE PRICE  
 [ \_ ] QUICK SPEC (See Below)

**QUICK SPEC SKU** **TS-HD-AMS-36-NAT**

<b>TS-HD</b>			
<b>FIXTURE ATTACHMENT</b>	<b>STRAP LENGTH</b> ✓	<b>FINISH</b>	
STANDARD: ✓ [1/2] 1/2" (NPS) Universal Threaded Hole [AMS] Aurora Mount System	[22] 22" [36] 36"	STANDARD: [NAT] Natural ✓ PLUS (\$): [BLP] Bronze Living Patina [BLP-XD] BLP Extra Dark PREMIUM (\$\$\$): [NI] Nickel PVD [BG] Black Gloss PVD [BS] Black Satin PVD [BZ] Bronze PVD [BZ-XD] Dark Bronze PVD	



**SUITABLE FOR THESE FIXTURES:**

