

TS-LD TREE STRAP

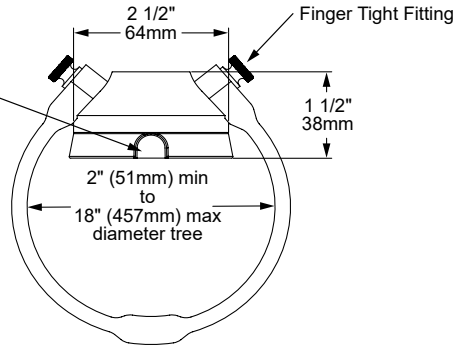


TS-LD-1/2-NAT

Wire Knock-Out



Includes stainless steel retention clip for simple wire management



The **TS-LD Tree Strap Light-Duty**, part of a robust offering from Auroralight, is a passive fixture mounting system making it ideal for use on valuable specimen trees. The TS-LD is machined from solid brass for durability and features a nylon base with multiple wire exit ports. The TS-LD supports luminaires up to 2lb in weight and is supplied with one UV-stabilized EPDM rubber strap to hold the fixture in place firmly; no tools are required. At the same time, the highly elastic material allows for uninhibited tree growth. For easy and safe installation, pre-wire the luminaires on the ground, and use the supplied stainless-steel retention clip to hold connectors inside each brass fitting.

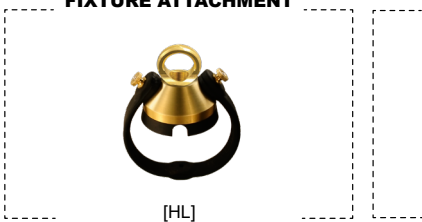
ORDERING GUIDE: ^{Prefix} **TS-LD** T (TREE) S (STRAP) L (LIGHT) D (DUTY)

□ INDICATES REQUIRED FIELD □ □ INDICATES OPTIONAL FIELD ✓ INCLUDED IN BASE PRICE [_] QUICK SPEC (See Below)

QUICK SPEC SKU **TS-LD-1/2-36-NAT**

TS-LD			
FIXTURE ATTACHMENT	STRAP LENGTH ✓	FINISH	
[1/2] 1/2" (NPS) Universal Threaded Hole ✓	[22] 22"	STANDARD:	
[HL] Hanging Light Ring	[36] 36"	[NAT] Natural ✓	
		PLUS (\$):	
		[BLP] Bronze Living Patina	
		[BLP-XD] BLP Extra Dark	
		PREMIUM (\$\$\$):	
		[NI] Nickel PVD	
		[BG] Black Gloss PVD	
		[BS] Black Satin PVD	
		[BZ] Bronze PVD	
		[BZ-XD] Dark Bronze PVD	

FIXTURE ATTACHMENT



SUITABLE FOR THESE FIXTURES:

