



LDL3-SQ CENTRO



LDL3-SQ-NAT
Shown w/ optional [SBH]



LDL3-SQ-BLP
Shown w/ optional [SBH]

Building upon the success of our esteemed LWL3 In-grades, we are proud to introduce the latest addition to our lighting portfolio - the **LDL3-SQ Centro** downlight. Employing our remarkably versatile LM16 light module, we have engineered a fixture with a Small-Diameter trim and Large-Aperture that can emit up to 420 Lumens. Our torsion spring-mounted downlight offers an immaculate ceiling presentation ideal for in-door and outdoor settings.

Features Include:

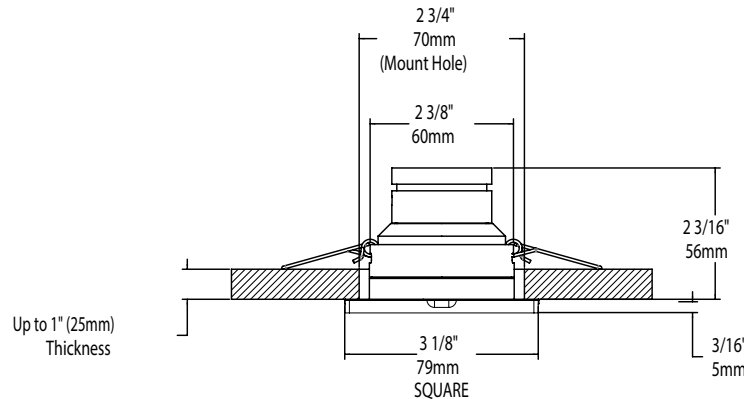
- IP67 Rated for Interior or Exterior Wet Location Use
- IC Rated for Insulation Contact, UL Class 2
- 6 Interchangeable PMMA Acrylic Optics from 20° to 75°
- Precision Machined Solid Brass & Anodized Aluminum Torsion Spring
- Thermally Regulated for Maximum Performance and Longevity
- Dark Sky Certified

Light Source:

- 4 or 6 Watts, Up to 420 Lumens
- Field Serviceable Light Module
- Cree LED™ available in 80 & 90 CRI
- 2700K, 3000K, or 4000K

Electrical:

- Integral 12v AC to DC Constant Current Driver for Simple Installation
- Dimmable to <10% for Extensive Flexibility
- Compatible with Class 2 MLV or ELV AC Power Supplies



COPPER CORE TECHNOLOGY®

Copper Core® is a registered trademark of Auroralight. It is synonymous with the mark of quality and integrity. It means that our products are built upon a superior foundation of Solid Copper, ensuring every critical part functions seamlessly together Thermally integrated® one component to the next. Auroralight manufactured without compromise, engineered with passion, in the USA.



SEE NEXT PAGE FOR ORDERING INFORMATION

LDL3-SQ CENTRO

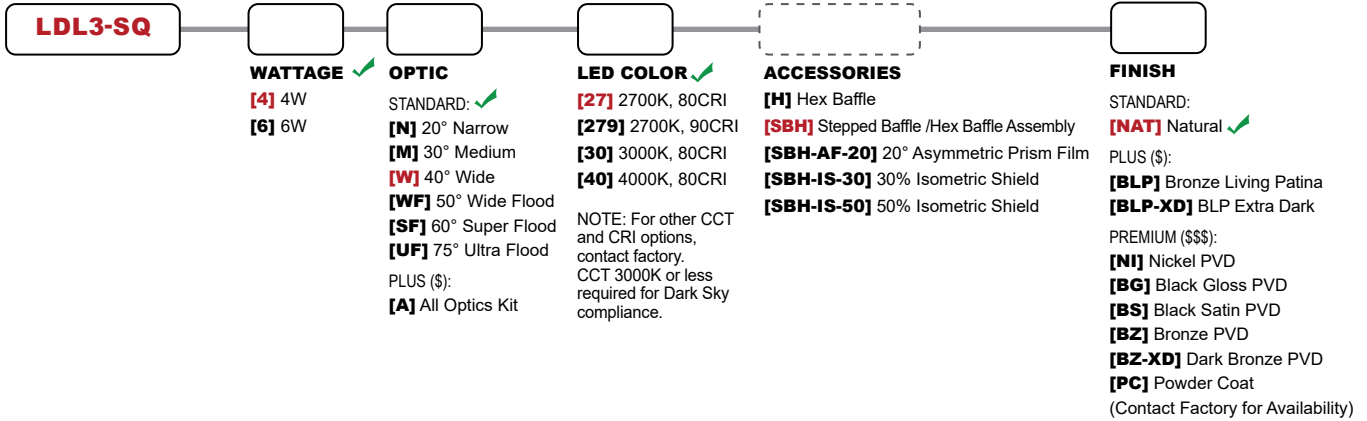


Prefix

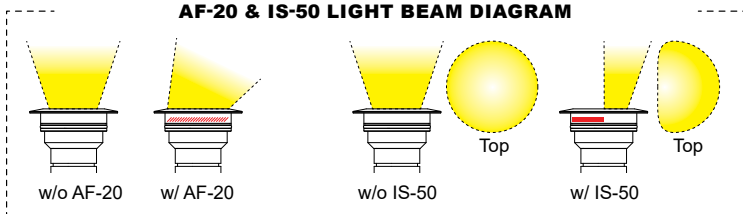
ORDERING GUIDE: **LDL3-SQ** L (LED) DL (DOWN LIGHT) 3 (SERIES) SQ (SQUARE)

□ INDICATES REQUIRED FIELD □ INDICATES OPTIONAL FIELD ✓ INCLUDED IN BASE PRICE [_] QUICK SPEC (See Below)

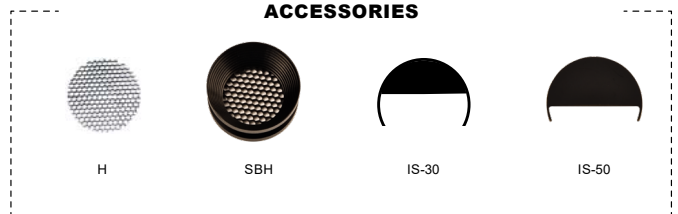
QUICK SPEC SKU **LDL3-SQ-4-W-27-SBH-NAT**



AF-20 & IS-50 LIGHT BEAM DIAGRAM



ACCESSORIES



LDL3-SQ CENTRO

PHOTOMETRIC OVERVIEW

Information based on 3000K. To download more in-depth IES photometric data, visit auroralight.com/product/ldl3-sq-centro/

| 6W 3000K 20° (NARROW) 309.3 LUMENS • CBCP 1121 • BUG B1 U0 G0 AURORALIGHT LDL3-SQ-5-N-30 | | |
|--|-------------|------------|
| 6 FT | 31.1 | 2.12 |
| 10 FT | 11.2 | 3.53 |
| 14 FT | 5.72 | 4.94 |
| 18 FT | 3.46 | 6.36 |
| 22 FT | 2.32 | 7.77 |
| 26 FT | 1.66 | 9.18 |
| 30 FT | 1.25 | 10.6 |
| Distance From Fixture | Footcandles | Beam Width |

| 6W 3000K 30° (MEDIUM) 355.6 LUMENS • CBCP 1159 • BUG B1 U0 G0 AURORALIGHT LDL3-SQ-5-M-30 | | |
|--|-------------|------------|
| 6 FT | 42.3 | 2.54 |
| 10 FT | 15.2 | 4.23 |
| 14 FT | 7.76 | 5.92 |
| 18 FT | 4.70 | 7.62 |
| 22 FT | 3.14 | 9.31 |
| 26 FT | 2.25 | 11.0 |
| 30 FT | 1.69 | 12.7 |
| Distance From Fixture | Footcandles | Beam Width |

| 6W 3000K 40° (WIDE) 420.6 LUMENS • CBCP 865 • BUG B1 U0 G0 AURORALIGHT LDL3-SQ-5-W-30 | | |
|---|-------------|------------|
| 6 FT | 24.0 | 3.99 |
| 10 FT | 8.65 | 6.64 |
| 14 FT | 4.41 | 9.301 |
| 18 FT | 2.67 | 12.0 |
| 22 FT | 1.79 | 14.6 |
| 26 FT | 1.28 | 17.3 |
| 30 FT | 0.961 | 19.9 |
| Distance From Fixture | Footcandles | Beam Width |

| 6W 3000K 50° (WIDE FLOOD) 389.4 LUMENS • CBCP 507 • BUG B1 U0 G0 AURORALIGHT LDL3-SQ-5-WF-30 | | |
|--|-------------|------------|
| 6 FT | 13.9 | 5.30 |
| 10 FT | 5.02 | 8.84 |
| 14 FT | 2.56 | 12.4 |
| 18 FT | 1.55 | 15.9 |
| 22 FT | 1.04 | 19.4 |
| 26 FT | 0.742 | 23.0 |
| 30 FT | 0.558 | 26.5 |
| Distance From Fixture | Footcandles | Beam Width |

| 6W 3000K 60° (SUPER FLOOD) 346.0 LUMENS • CBCP 330 • BUG B1 U0 G0 AURORALIGHT LDL3-SQ-5-SF-30 | | |
|---|-------------|------------|
| 6 FT | 9.03 | 6.30 |
| 10 FT | 3.25 | 10.5 |
| 14 FT | 1.66 | 14.7 |
| 18 FT | 1.00 | 18.9 |
| 22 FT | 0.672 | 23.1 |
| 26 FT | 0.481 | 27.3 |
| 30 FT | 0.361 | 31.5 |
| Distance From Fixture | Footcandles | Beam Width |

| 6W 3000K 75° (ULTRA FLOOD) 263.0 LUMENS • CBCP 217 • BUG B0 U0 G0 AURORALIGHT LDL3-SQ-5-UF-30 | | |
|---|-------------|------------|
| 6 FT | 5.84 | 7.40 |
| 10 FT | 2.10 | 12.3 |
| 14 FT | 1.07 | 17.3 |
| 18 FT | 0.649 | 22.2 |
| 22 FT | 0.435 | 27.1 |
| 26 FT | 0.311 | 32.1 |
| 30 FT | 0.234 | 37.0 |
| Distance From Fixture | Footcandles | Beam Width |