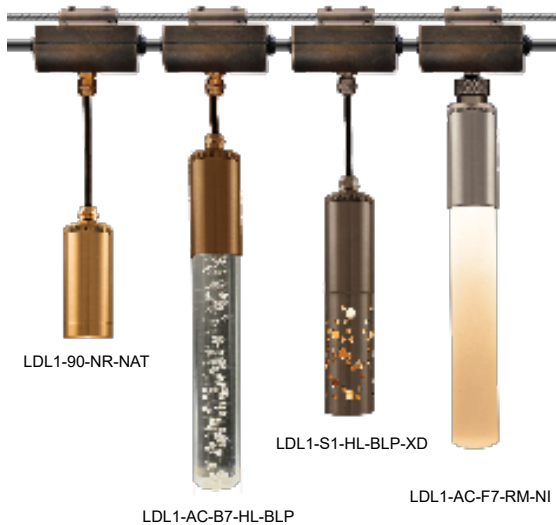


LDL1-ACS PIAZZA



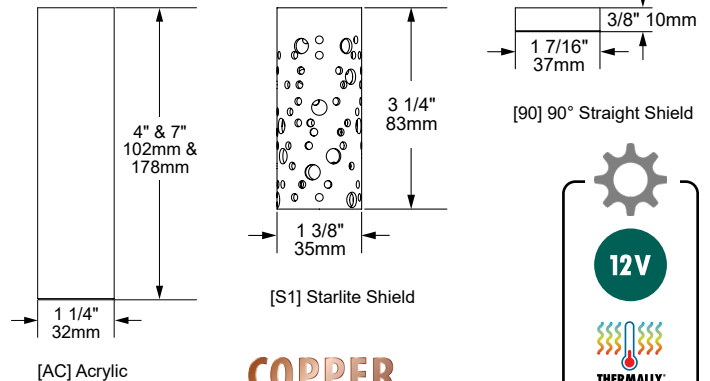
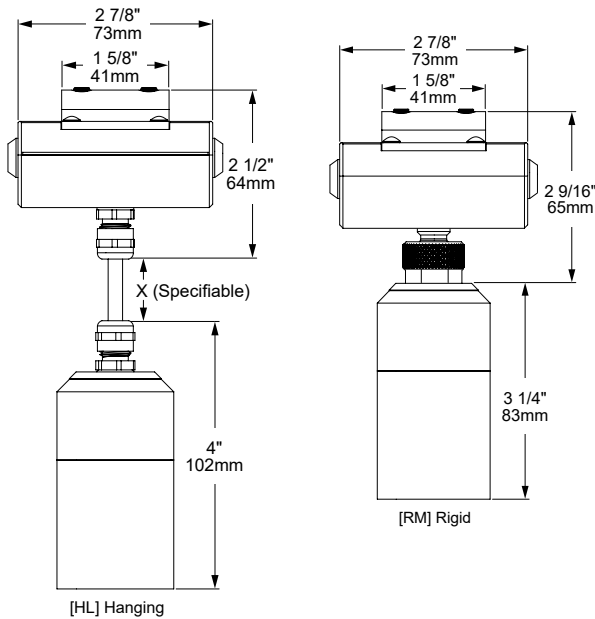
The **LDL1 Piazza** is the smallest in our line of diverse LED pendant luminaires. Ideal when used as a discrete light source in tree canopies. Used in strings for subtle romantic illumination of outdoor dining areas or intimate plazas. Powered by our exclusive Copper Core®, Thermally Integrated® LED light engine and fitted with a precision-machined acrylic optic. Specify as a standard down-light or with Acrylic lensing 4" or 7" in length, frosted, or clear with infused bubbles. This petite and versatile luminaire is sure to add an artistic layer to your next project.

Features include:

- Field Serviceable LED Module in 3 Watts up to 181 Lumens
- Cree LED™ XLAMP® High Density (XP-L)
- 2700K (80 & 90 CRI), 3000K (80 CRI), 4500K (80 CRI), Blue or Amber 585-595nm
- Thermally Integrated® w/ Copper Core Technology®
- 12V Integral Constant Current Driver (Remote 12V AC/DC Transformer Required)
- Dimmable to <10% (TRIAC/Forward Phase) via compatible transformer
- Compatible w/ 12V AC/DC ELV or MLV Transformers
- Solid Brass Construction
- Also available with Non-Catenary Hanging and Rigid mount options (See LDL1-HL and LDL1-RM)

Catenary features include:

- Pre-assembled System for Easy Installation
- Compatible with Catenary Cable up to 1/4" dia. (by others)
- Rigid Mount utilizes Swivel-Pro™ allowing up to 15° of cable swag
- Cable Brake System™ prevents luminaire slippage
- J-box and Luminaire Machined from Solid c3600 Brass Alloy
- UL Approved System



DOWNLOAD OUR ACS DESIGN GUIDE TO START BUILDING YOURS TODAY

COPPER CORE TECHNOLOGY®

Copper Core® is a registered trademark of Auroralight. It is synonymous with the mark of quality and integrity. It means that our products are built upon a superior foundation of Solid Copper, ensuring every critical part functions seamlessly together Thermally integrated® one component to the next. Auroralight manufactured without compromise, engineered with passion, in the USA.

SEE NEXT PAGE FOR ORDERING INFORMATION

LDL1-ACS PIAZZA



Prefix

ORDERING GUIDE: **LDL1-ACS** L (LED) DL (DOWNLIGHT) 1 (SERIES) ACS (AURORA CATENARY SYSTEM)

INDICATES REQUIRED FIELD INDICATES OPTIONAL FIELD INCLUDED IN BASE PRICE [_] QUICK SPEC (See Below)

QUICK SPEC SKU **LDL1-ACS-90-27-HL-NAT**

LDL1-ACS

SHIELD

- [90] 90° Straight w/ Hex Louver ✓
- [AC-B4] 4" Bubble Acrylic
- [AC-B7] 7" Bubble Acrylic
- [AC-F4] 4" Frosted Acrylic
- [AC-F7] 7" Frosted Acrylic
- [S1] Starlite Shield

LED COLOR ✓

- [27] 2700K, 80 CRI
- [279] 2700K, 90CRI
- [30] 3000K, 80 CRI
- [45] 4500K, 80 CRI
- [AMB] Amber (585-595nm)
- [BLU] Blue (585-595nm)

NOTE: For other CCT and CRI options, contact factory. CCT 3000K or less required for Dark Sky compliance.

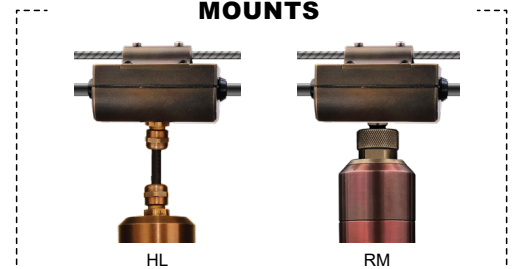
MOUNT ✓

- [HL] Hanging
- [RM] Rigid

FINISH

- STANDARD:
- [NAT] Natural ✓
- PLUS (\$):
- [BLP] Bronze Living Patina
 - [BLP-XD] BLP Extra Dark
- PREMIUM (\$\$\$):
- [NI] Nickel PVD
 - [BG] Black Gloss PVD
 - [BS] Black Satin PVD
 - [BZ] Bronze PVD
 - [BZ-XD] Dark Bronze PVD

MOUNTS

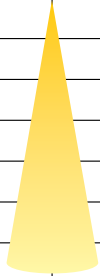


LDL1-ACS PIAZZA


PHOTOMETRIC OVERVIEW

To download more in-depth IES photometric data, visit auroralight.com/product/ldl1-acs-piazza/

3000K 90° Shroud 76.20 LUMENS • CBCP 50 • BUG B0 U1 G0 AURORALIGHT LDL1-HL-90-30		
4 FT	1.38	7.04
6 FT	0.498	11.7
8 FT	0.254	16.4
10 FT	0.154	21.1
12 FT	0.103	25.8
14 FT	0.0737	30.5
16 FT	0.0554	35.2
Distance From Fixture	Footcandles	Beam Width



3000K 7" Bubble Acrylic Shroud 180.9 LUMENS • CBCP 46 • BUG B0 U2 G0 AURORALIGHT LDL1-HL-B7-30		
4 FT	0.703	10.8
6 FT	0.253	18.0
8 FT	0.129	25.1
10 FT	0.0781	32.3
12 FT	0.0523	39.5
14 FT	0.0374	46.7
16 FT	0.0281	53.9
Distance From Fixture	Footcandles	Beam Width



3000K 7" Frosted Acrylic Shroud 159.2 LUMENS • CBCP 26 • BUG B0 U2 G0 AURORALIGHT LDL1-HL-B7-30		
4 FT	0.311	14.1
6 FT	0.112	23.5
8 FT	0.0571	32.9
10 FT	0.0346	42.3
12 FT	0.0231	51.8
14 FT	0.0166	61.2
16 FT	0.0124	70.6
Distance From Fixture	Footcandles	Beam Width

