



## LDM350-AC ROSWELL

The **LDM350-AC Roswell** is a whimsical and decorative luminaire that offers ample opportunity to showcase your creativity. It has our robust and popular Copper Core® LED module and 360° Side Emitting TIR Optic, allowing for effective but gentle illumination. The luminaire is easy to install and features a solid brass shield for exceptional durability. The Roswell can be used in various practical applications, including path lighting, step lighting, and wayfinding. Unleash your creativity and ingenuity to discover new and innovative ways to use this versatile tool.

### Features Include:

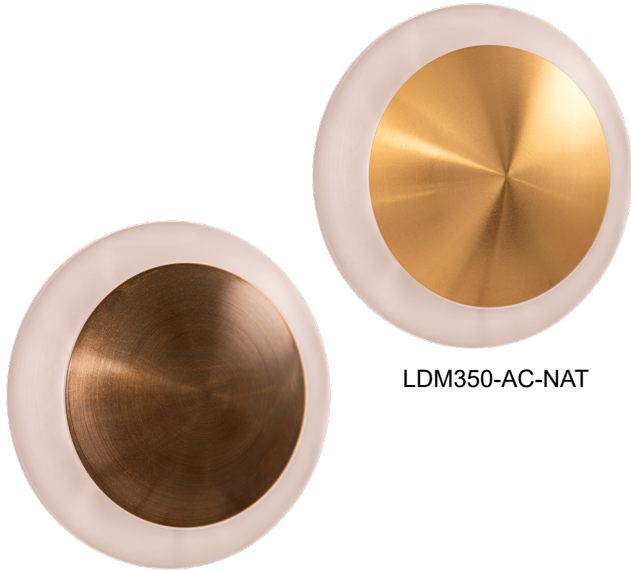
- IP66 & IP67 Rated for Exterior Wet Location Use
- IC Rated When Using UL Class 2 Wiring & Power Supply
- Precision Machined from Solid Brass and Acrylic
- Crafted from Robust Materials to Endure Harsh Environments
- Thermally Regulated for Maximum Performance and Longevity

### Light Source:

- 3 Watts, Generating Soft Diffuse Illumination
- Field Serviceable Light Module
- 360° Side Emitting TIR Optic
- Utilizes a High Efficacy Cree LED™ for Reliability
- Available in 2700K, 3000K, 4500K, Blue, Red or Amber

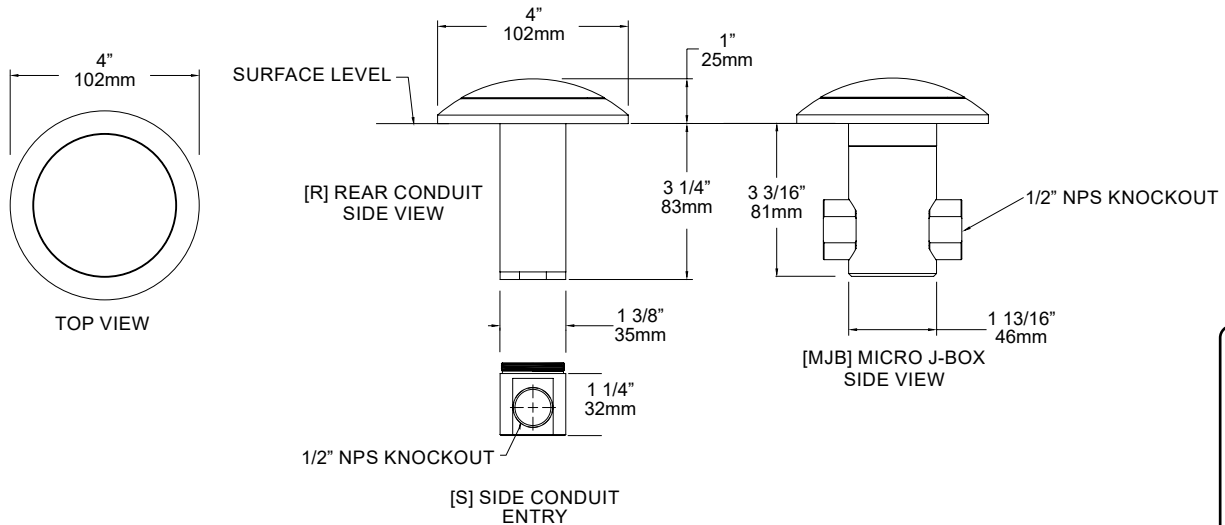
### Electrical:

- Integral 12v AC to DC Constant Current Driver for Simple Installation
- Dimmable to <10% for Extensive Flexibility
- Compatible with MLV or ELV AC Power Supplies



LDM350-AC-NAT

LDM350-AC-BLP



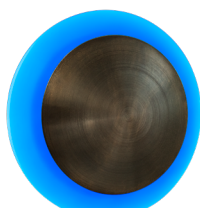
### LED COLORS



[RED] Red



[AMB] Amber



[BLU] Blue

**FIT**  
FIELD-INTERCHANGEABLE  
TECHNOLOGY

360° Side Emitting TIR Optic

The FIT™ IP67 module is built on Auroralight's Copper Core Technology® platform and includes FIT™ Acrylic Optics.

Removable Thermally Integrated Module

**COPPER CORE TECHNOLOGY®**

12V

THERMALLY INTEGRATED

CREE LED POWERED

IP66

IP67

IC RATED

**SEE NEXT PAGE FOR ORDERING INFORMATION**

## LDM350-AC ROSWELL



Prefix

**ORDERING GUIDE:** **LDM350-AC** L (LED) DM (DIRECTIONAL MARKER) 350 (SERIES) AC (ACRYLIC)

□ INDICATES REQUIRED FIELD    □ INDICATES OPTIONAL FIELD    ✓ INCLUDED IN BASE PRICE    [ \_ ] QUICK SPEC (See Below)

**QUICK SPEC SKU**    **LDM350-AC-27-R-NAT**

**LDM350-AC**

**LED COLOR** ✓

- [27]** 2700K, 80 CRI
- [279]** 2700K, 90CRI
- [30]** 3000K, 80 CRI
- [45]** 4500K, 80 CRI
- [AMB]** Amber
- [BLU]** Blue
- [RED]** Red

**MOUNT**

- [R]** Rear Conduit Entry w/(1) 1/2" Rear Knockout ✓
- [S]** Side Conduit Entry w/(1) 1/2" Side Knockout
- [MJB]** Micro J-Box w/(2) 1/2" Side and (1) 1/2" Rear Knockout\*

\*Recommended for wall mount installations. New construction only.

**FINISH**

- STANDARD: **[NAT]** Natural ✓
- PLUS (\$):
- [BLP]** Bronze Living Patina
  - [BLP-XD]** BLP Extra Dark
- PREMIUM (\$\$\$):
- [NI]** Nickel PVD
  - [BG]** Black Gloss PVD
  - [BS]** Black Satin PVD
  - [BZ]** Bronze PVD
  - [BZ-XD]** Dark Bronze PVD
  - [PC]** Powder Coat Custom Color (Contact Factory for Color Options)

**MOUNTS**



[R] Rear Conduit



[S] Side Conduit



[MJB] Micro J-Box