



LWLP-C-H-R-BLP



LWLP-C-H-R-NAT

The **LWLP Pico** is a small and compact 3-watt in-grade uplight that can be used both indoors and outdoors. It is rated for wet locations and has a fixed aim that is recessed to allow for accessories. This high-quality luminaire is made in the USA and is precision machined from a solid brass rod. The Pico comes with field interchangeable optics from Khatod and Cree LED options that have various CCT and CRI, ensuring it meets your specific lighting needs. The luminaire is capable of producing 150 lumens and is designed to be both effective and efficient. Additionally, it comes complete with a separate J-box, making it easy to install.

**Features Include:**

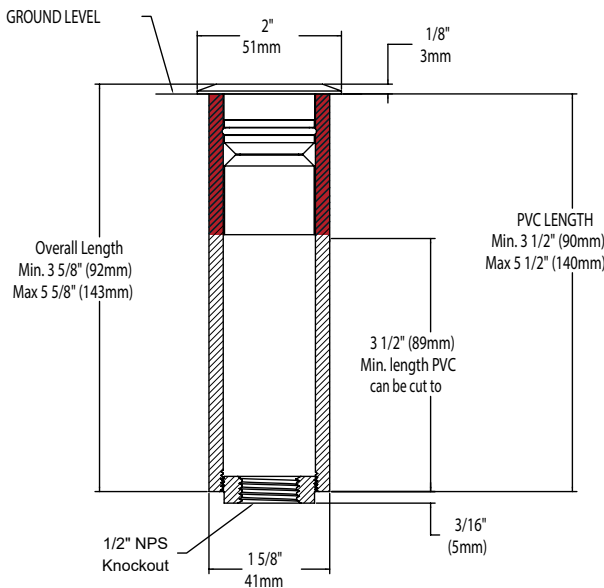
- Rated for Interior or Exterior Wet Location Use
- IC Rated When Using UL Class 2 Wiring & Power Supply
- 4 Interchangeable PMMA Acrylic Optics from 15° to 40°
- Precision Machined from Solid Brass to Endure Harsh Environments
- Thermally Regulated for Maximum Performance and Longevity
- IP67 & IP66 Rated

**Light Source:**

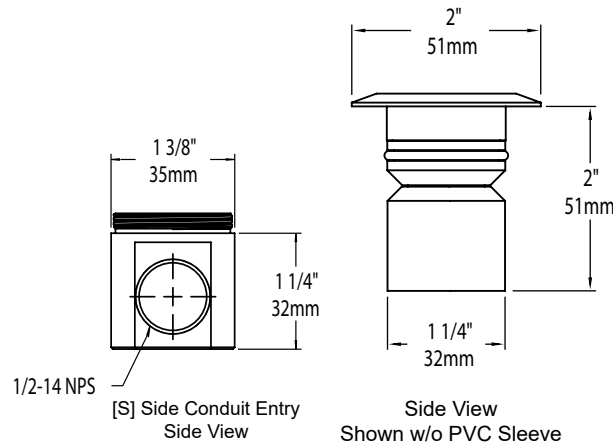
- 3 Watts, Up to 150 Lumens
- Field Serviceable Light Module
- Utilizes a High Efficacy Cree LED™ for Reliability, in 80 & 90 CRI
- Available in 2700K, 3000K, 4500K, Blue, or Amber

**Electrical:**

- Integral 12v AC to DC Constant Current Driver for Simple Installation
- Dimmable to <10% for Extensive Flexibility
- Compatible with MLV or ELV AC Power Supplies



Shown w/ [R] Rear Conduit Entry Side View



**COPPER CORE TECHNOLOGY®**

Copper Core® is a registered trademark of Auroralight. It is synonymous with the mark of quality and integrity. It means that our products are built upon a superior foundation of Solid Copper, ensuring every critical part functions seamlessly together Thermally integrated® one component to the next. Auroralight manufactured without compromise, engineered with passion, in the USA.

- 12V
- THERMALLY INTEGRATED
- CREE LED POWERED
- DRIVE-OVER RATED
- IP66
- IP67
- IC RATED

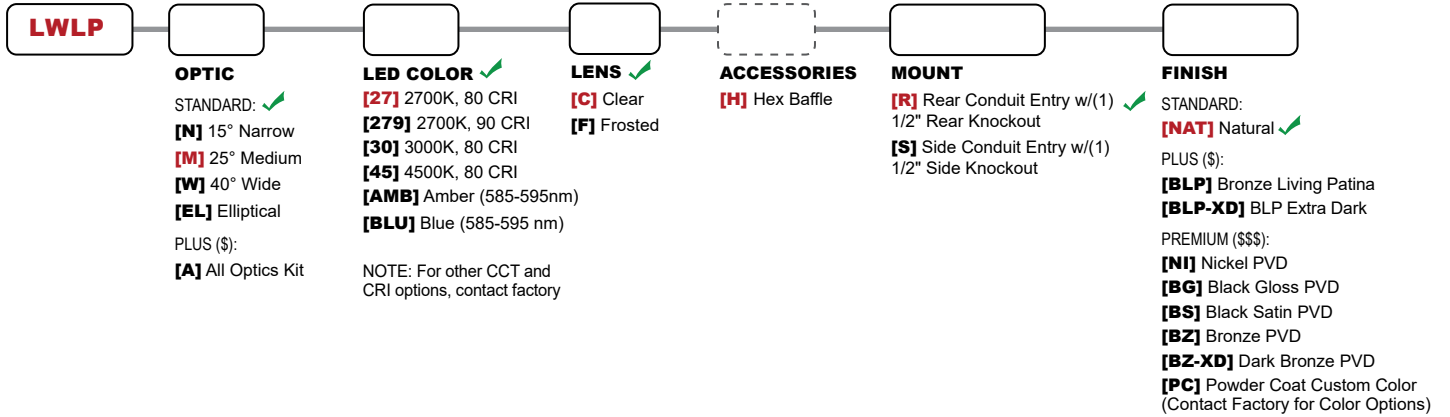
**SEE NEXT PAGE FOR ORDERING INFORMATION**



**ORDERING GUIDE:** <sup>Prefix</sup> **LWLP** L (LED) WL (WELL LIGHT) P (PICO)

□ INDICATES REQUIRED FIELD    □ INDICATES OPTIONAL FIELD    ✓ INCLUDED IN BASE PRICE    [ \_ ] QUICK SPEC (See Below)

**QUICK SPEC SKU** **LWLP-M-27-C-H-R-NAT**



### ACCESSORIES



H

### MOUNTS



[R] Rear Conduit




[S] Side Conduit


## PHOTOMETRIC OVERVIEW

To download more in-depth IES photometric data, visit [auroralight.com/product/lwlp-pico/](http://auroralight.com/product/lwlp-pico/)

3000K 15° (NARROW) OPTIC		
145.5 LUMENS • CBCP 1279 • BUG B0 U0 G0		
AURORALIGHT LWLP-F-N-30		
30 FT	1.42	3.70
26 FT	1.89	3.21
22 FT	2.64	2.72
18 FT	3.95	2.22
14 FT	6.53	1.73
10 FT	12.8	1.23
6 FT	35.5	0.741
Distance From Fixture	Footcandles	Beam Width



3000K 25° (MEDIUM) OPTIC		
171.4 LUMENS • CBCP 516 • BUG B0 U0 G0		
AURORALIGHT LWLP-F-M-30		
30 FT	0.574	12.1
26 FT	0.764	10.5
22 FT	1.07	8.88
18 FT	1.59	7.26
14 FT	2.63	5.65
10 FT	5.16	4.03
6 FT	14.3	2.42
Distance From Fixture	Footcandles	Beam Width



3000K 40° (WIDE) OPTIC		
155.9 LUMENS • CBCP 275 • BUG B0 U0 G0		
AURORALIGHT LWLP-F-W-30		
30 FT	0.306	18.1
26 FT	0.407	15.7
22 FT	0.569	13.3
18 FT	0.850	10.8
14 FT	1.40	8.43
10 FT	2.75	6.02
6 FT	7.65	3.61
Distance From Fixture	Footcandles	Beam Width

