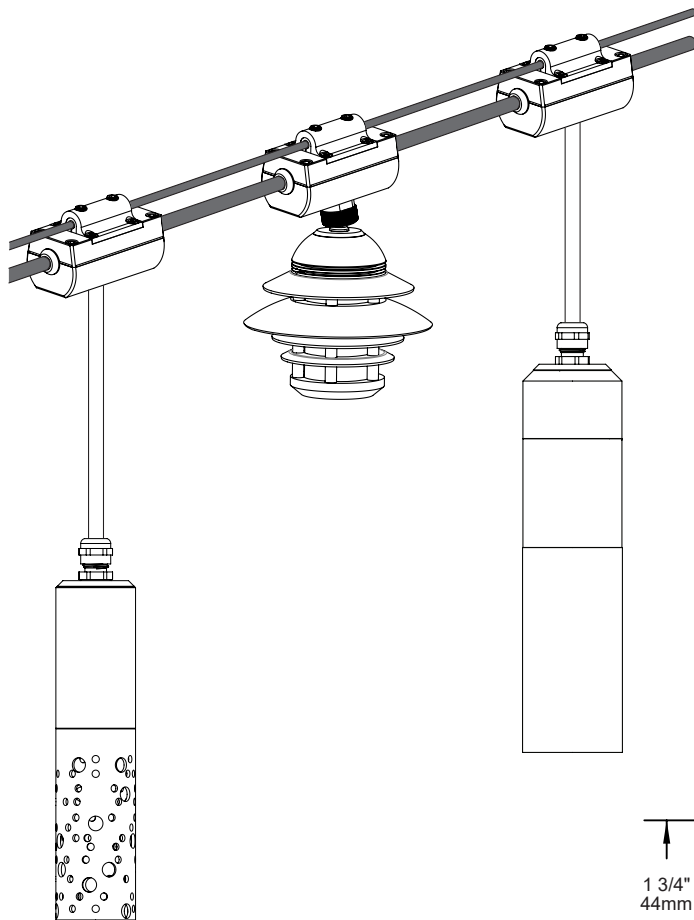




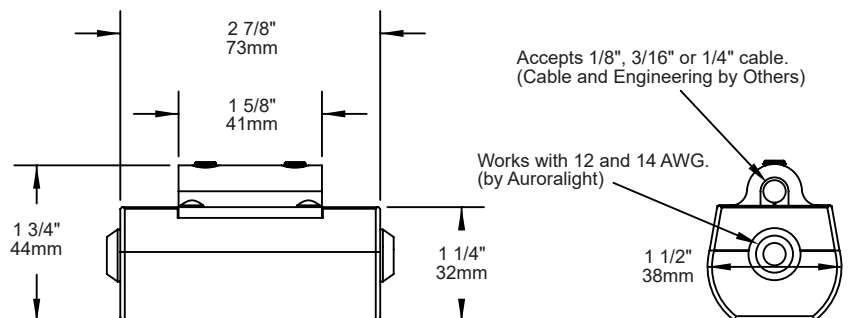
Aurora Catenary System (ACS) Design Guide



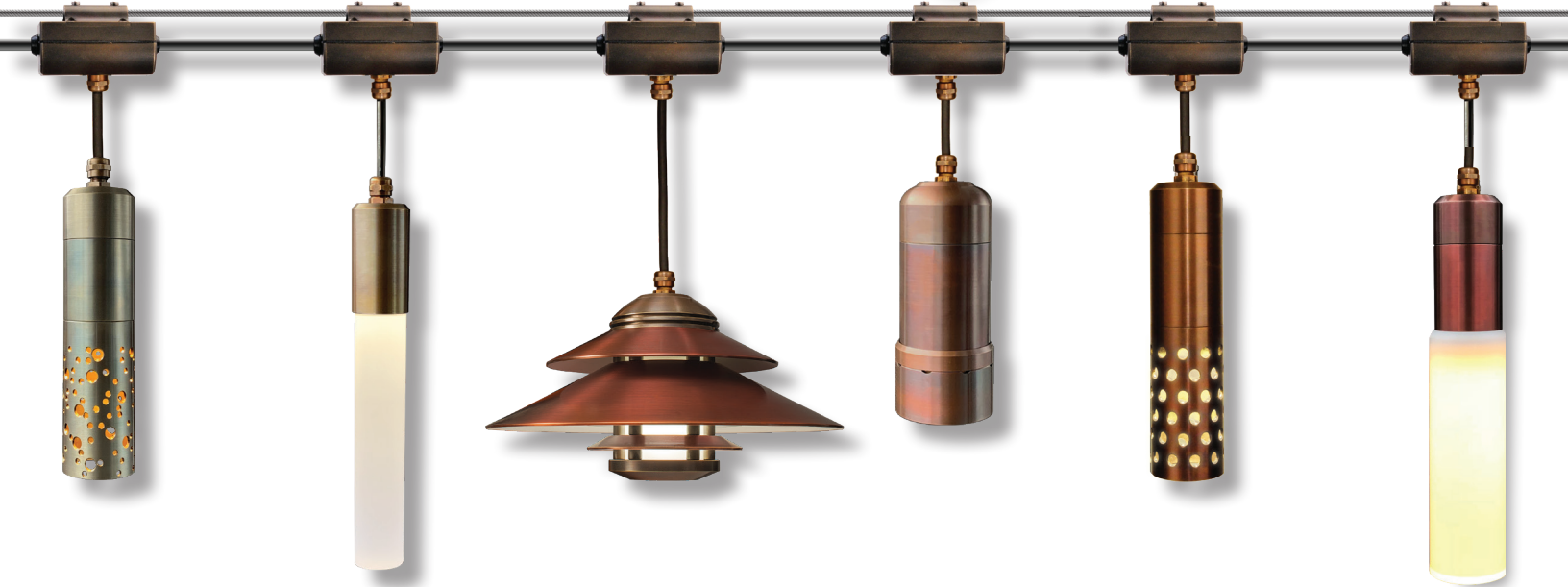
Auroralight's Catenary Cable Mount J-box; machined from a solid block of C3600 Billet Brass on our ultra-modern CNC mill-turn lathes. The J-box has a separate attachment for catenary cables up to 1/4" dia. & features a Cable Brake System to prevent luminaire slippage due to swag. Options include a "Rigid swivel mount" that allows for rigid attachment of the luminaire while allowing for up to 15° of cable swag; allowing the fixture to hang plumb. All luminaires in the system are field serviceable eliminating the need to ever remove a luminaire from the string if service is needed.

Features Include:

- Solid Brass Construction
- Pre-assembled System for Easy Installation
- Compact Design
- 15° Swivel-Pro™ For Rigid Mount Applications
- Cable Brake System™



auroralight™



1 Choose The Fixtures



LDL1 Piazza Series
See product cut sheets for more information.



DLX16 Mariner Series
See product cut sheets for more information.



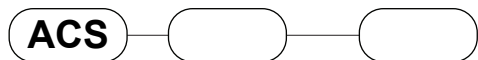
HDL11 Taos Series
See product cut sheets for more information.



LML250 Series
See product cut sheets for more information.

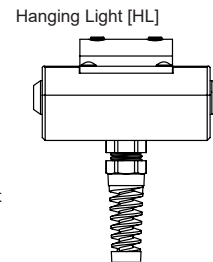
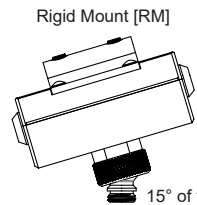
2 Choose Mount Style

Aurora Cantenary System (ACS)

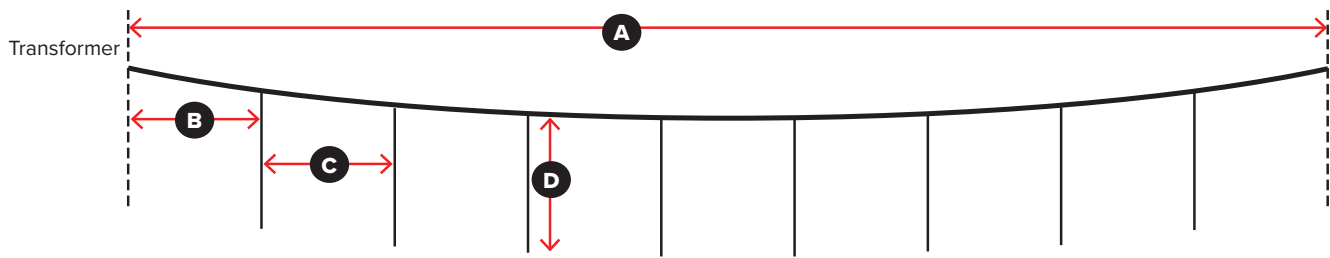


MOUNT STYLE
[HL] Hanging Light
[RM] Rigid Mount

FINISH
[NAT] Natural
[BLP] Bronze Living Patina
[BLP-XD] Bronze Living Patina Extra Dark
[NI] Nickel PVD
[PVD] Custom PVD Color



3 Design The Cable Run(s)



- A. Overall Length of Run
- B. Spacing to First Fixture (From Power Supply/Transformer)
- C. Fixture Spacing and Quantity (60W Max. Per String)
- D. Drop Length (for Hanging Light fixtures)

String Name	Quantity of Strings	A. Overall Length of Run	B. Distance to 1st Fixture from Transformer	C. Fixture Spacing and Quantity	D. Drop length	Steel Cable Gauge (1/8", 3/16", 1/4")