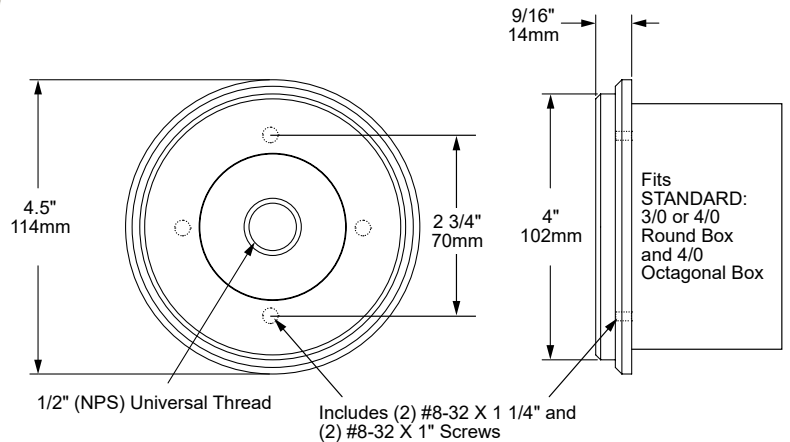
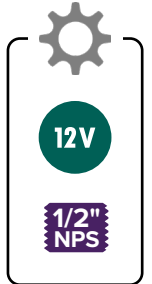


## CP45 COVER PLATE

The **CP45 Cover Plate**, part of a full family of canopies from Auroralight, is an architectural upgrade worthy of consideration. The CP45 is compatible with a number of box sizes and utilizes a STANDARD: 1/2" (NPS) Universal Thread for near limitless fixture compatibility. Machined from solid brass for durability, the CP45's stepped-look features a PREMIUM: feel, screwless faceplate, and adds an elegant solution any project.



**ORDERING GUIDE:** <sup>Prefix</sup> **CP45** C (COVER) P (PLATE) 45 (4 1/2")

□ INDICATES REQUIRED FIELD    □ INDICATES OPTIONAL FIELD    ✓ INCLUDED IN BASE PRICE



**FIXTURE ATTACHMENT**  
[HL] Hanging Light Ring

**ESCUTCHEON**  
[BR] Brass ✓  
[CU] Copper

**FINISH**  
STANDARD:  
[NAT] Natural ✓  
PLUS (\$):  
[BLP] Bronze Living Patina  
[BLP-XD] BLP Extra Dark  
PREMIUM (\$\$\$):  
[NI] Nickel PVD  
[BG] Black Gloss PVD  
[BS] Black Satin PVD  
[BZ] Bronze PVD  
[BZ-XD] Dark Bronze PVD

