



*Signature Series*  
Classic Auroralight

## DLX16-HL MARINER

The **Mariner DLX16-HL** downlight is the longest production luminaire in our product line. Continual upgrades over its lifetime since 1996 ensure the Mariner is always at the top of its game. The DLX16 features a thermally conductive copper core that reduces internal temperature, ensuring peak performance and increased lamp life when using LED lamps.

**Features include:**

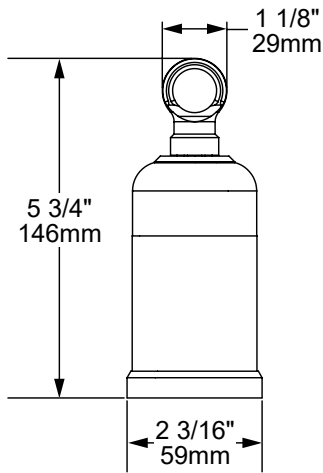
- Variety of MR16 Lamp Options
- 2700K (90 CRI), or 3000K (CRI 90)
- Variety of Glare Shield Options
- Hermetically Sealed Assembly
- Solid Brass Construction
- Offered with a Safety Cable or a Brass Chain
- Also Available with Rigid or Catenary Mount Options (See DLX16-RM and DLX16-ACS)



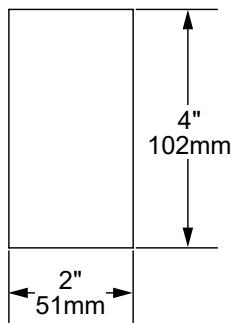
DLX16-HL-AC4-BLP

DLX16-HL-90-NAT

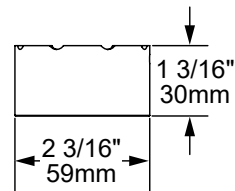
DLX16-HL-NS-NI



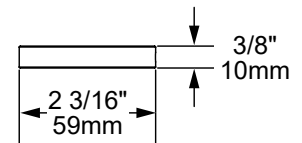
Fixture Body w/ Loop



[AC] 4" Acrylic



[90] 90° Straight Shield



[NS] No Shield



**SEE NEXT PAGE FOR ORDERING INFORMATION**

## DLX16-HL MARINER



**ORDERING GUIDE:** <sup>Prefix</sup> **DLX16** DL (DOWNLIGHT) X (NO LAMP) 16 (SERIES) HL (HANGING LIGHT)

INDICATES REQUIRED FIELD     INDICATES OPTIONAL FIELD     INCLUDED IN BASE PRICE    [ \_ ] QUICK SPEC (See Below)

**QUICK SPEC SKU** **DLX16-HL-90-7-W-27-H-SC-SB-NAT**

