



HPL7-FR-NAT

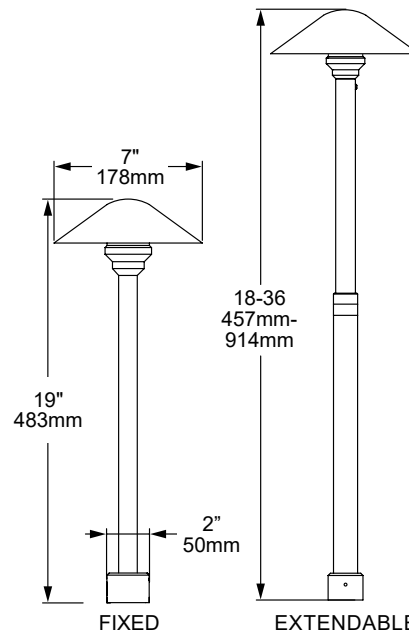


HPL7-FR-BLP-XD

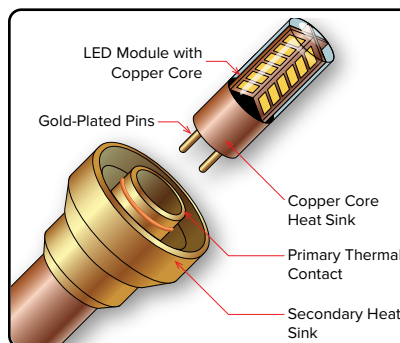
The **HPL7 Eclipse's** graceful styling offers the designer a flexible choice that complements any setting without competing with it. Innovative construction seamlessly integrates a white powder-coated stainless steel reflector into a heavy gauge copper shade for a lifetime of service. Every HPL series path light gives you a choice of a Thermally Integrated® Field Serviceable LED Module or a Halogen/Xelogen lamp. Using Copper Core Technology®, the HPL LED module is specifically engineered to transfer heat away from the LED driver/circuit and dissipate throughout the luminaire, ensuring optimal performance, color consistency, and long life!

Features include:

- Interchangeable LED Module in 2.5, 3.5 or 5 Watts
- Up to 207 Lumens
- 2700K (80 CRI) or 3000K (80 CRI)
- Thermally Integrated® Field Serviceable LED Module
- 12V Integral Driver, Dimmable to <10% typ.
- Compatible w/ 12V AC/DC ELV or MLV Transformers
- Fixed or Extendable Riser
- Solid Copper and Brass Construction
- Contact Factory for Custom Height



COPPER CORE TECHNOLOGY®



Copper Core® is a registered trademark of Auroralight. It is synonymous with the mark of quality and integrity. It means that our products are built upon a superior foundation of Solid Copper, ensuring every critical part functions seamlessly together Thermally integrated® one component to the next. Auroralight manufactured without compromise, engineered with passion, in the USA.

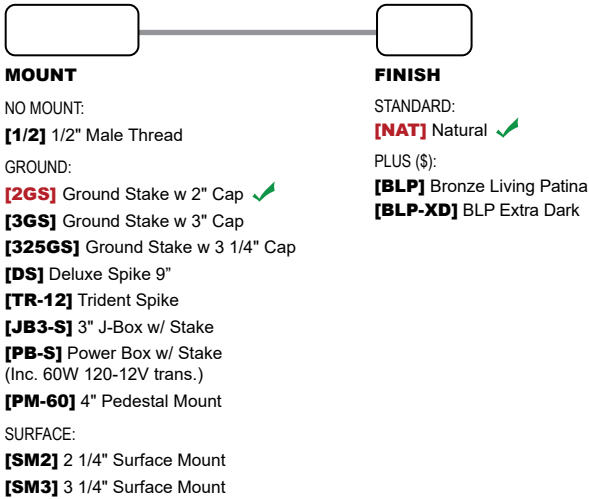
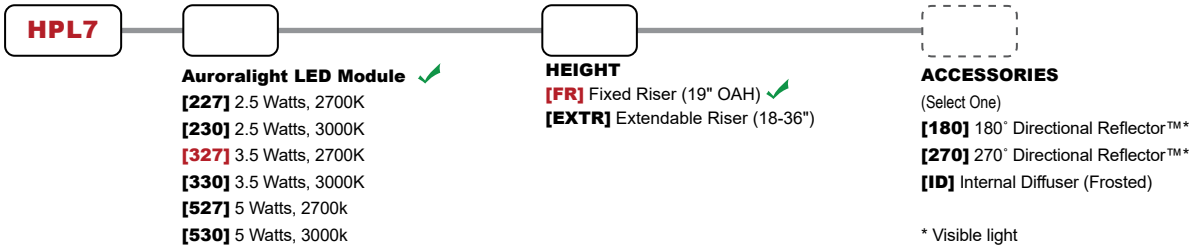
SEE NEXT PAGE FOR ORDERING INFORMATION



ORDERING GUIDE: ^{Prefix} **HPL7** H (HIGH PERFORMANCE) PL (PATH LIGHT) 7 (INCHES)

INDICATES REQUIRED FIELD INDICATES OPTIONAL FIELD INCLUDED IN BASE PRICE [_] QUICK SPEC (See Below)

QUICK SPEC SKU **HPL7-327-FR-2GS-NAT**

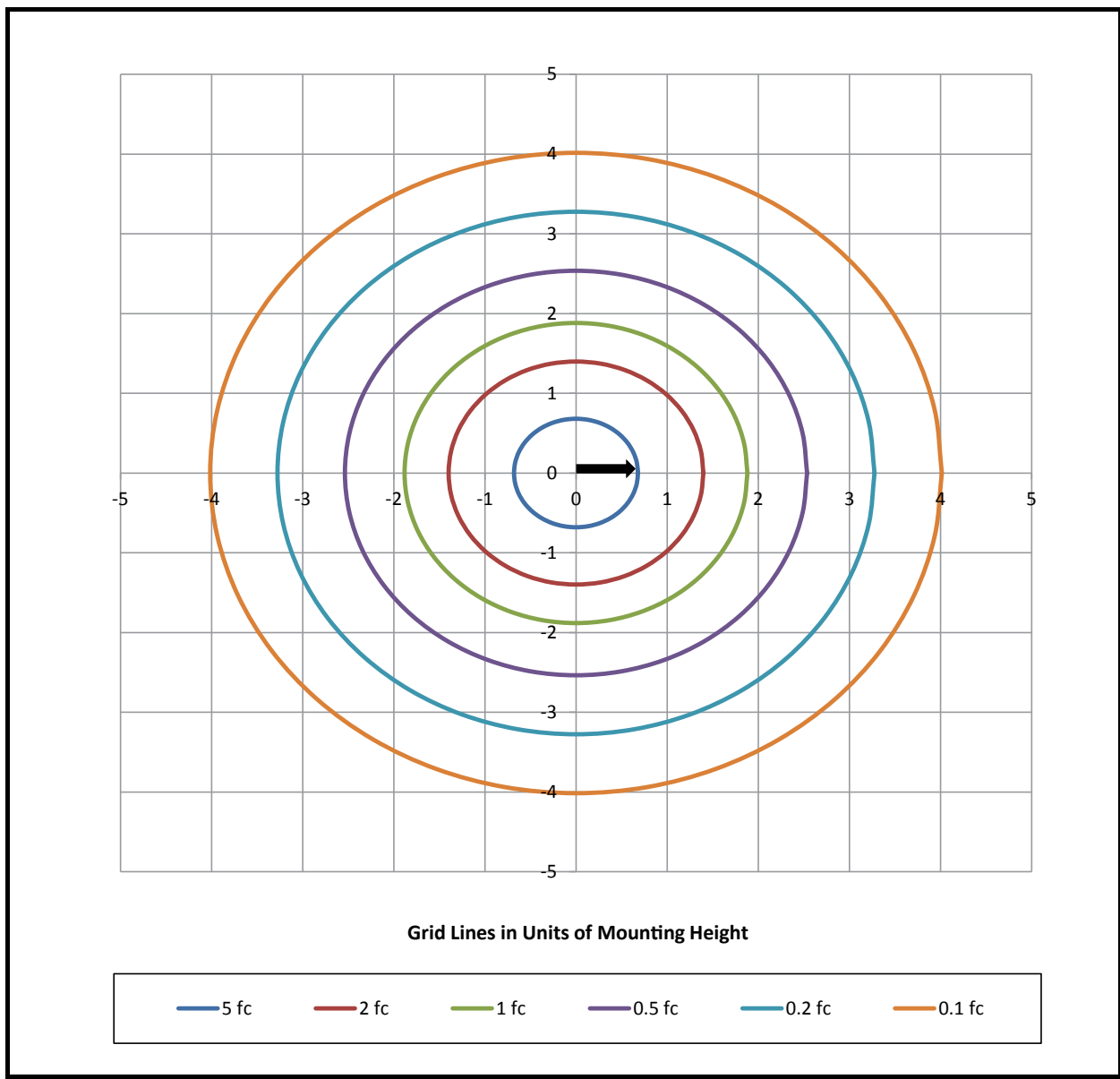


HPL7 ECLIPSE

PHOTOMETRIC OVERVIEW

Information based on 5 Watts. To download more in-depth IES photometric data, visit auroralight.com/product/hpl7-eclipse/

Mounting Height - 2 Feet



BUG Rating B0 U1 G0