

LBD350 BOLLARD MOUNTS



1/2-BD350 Universal 1/2" Adapter (12V/120V)
The 1/2" Adapter is intended for mounting to 1/2" NPS threaded devices. (Does not include ground stake)



LP-BD350 Leveling Pedestal (12V/120V)

The Leveling Pedestal is a perfect solution for installing onto a concrete footing. Equipped with three adjustable leveling feet, this mount corrects uneven surfaces up to 6° off horizontal. Designed to fit over up to three 3/4" bundled PVC conduits. (3) 5/16" x 2 3/4" SS concrete anchor screws.



GS-BD350 Ground Stake (12V)

The Ground Stake stabilizes our 350 series line of bollards. To be used for ground installations with remote transformer. 2 3/4" diameter cap on a 10 1/2" PVC Stake



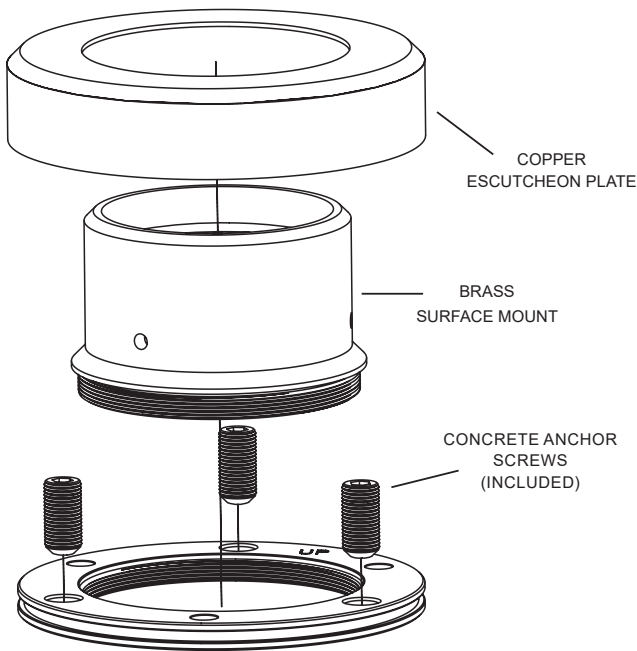
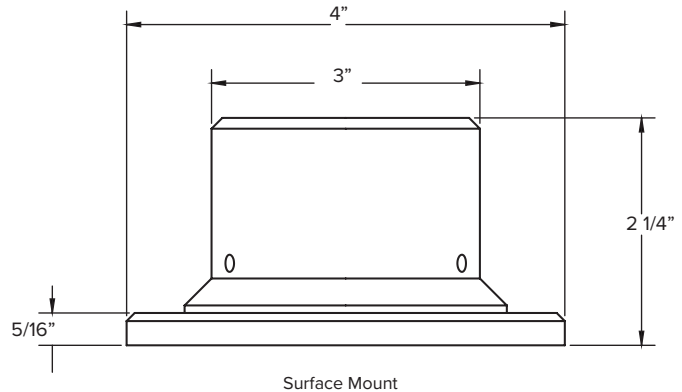
SM-BD350 Surface Mount (12V/120V)

The Surface Mount is equipped with stainless steel hardware and an unobtrusive spun copper escutcheon to hide mount screws. For durable installations of up to 30" high bollards mounted to solid, level surfaces only. Designed to fit over up to three 3/4" bundled PVC conduits. Designed to fit over up to three 3/4" bundled PVC conduits.



TR-BD350 Trident Spike (12V)

The Trident Spike stabilizes luminaires when mounted in loose soil with its 4x1 1/4" diameter mount plate and three 12" stainless steel spikes.



Leveling Pedestal

