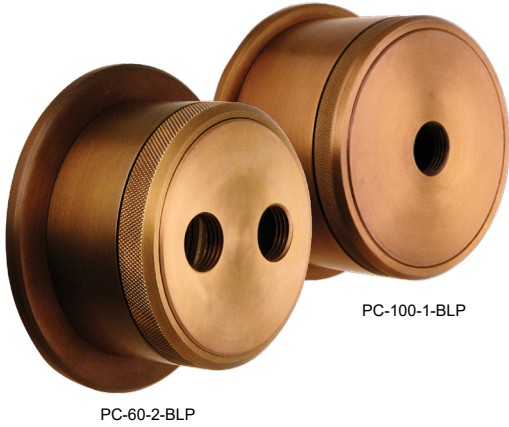


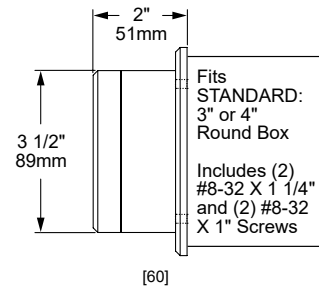
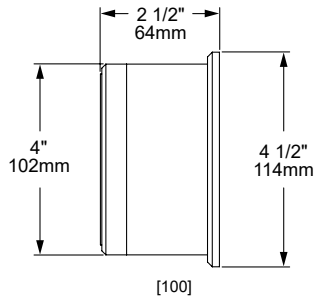
PC POWER CANOPY

The **PC Power Canopy**, part of a complete family of canopies from Auroralight, machined from solid brass. It is a junction box that conceals an electronic transformer. The PC is designed to fit all STANDARD: 3" or 4" round, flush-mounted electrical service boxes. The PC adapts from line voltage feed (120v) to many of our low voltage (12v) fixtures and most 12v fixtures from other manufacturers. The PC is compatible with many box sizes and utilizes a STANDARD: 1/2" (NPS) Universal Thread for near limitless compatibility. Featuring our proprietary screwless mount plate, the PC eliminates twisted wires and visible screws to make installation fast and neat.

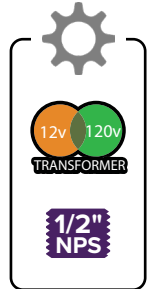


PC-60-2-BLP

PC-100-1-BLP



Fits STANDARD: 3" or 4" Round Box
Includes (2) #8-32 X 1 1/4" and (2) #8-32 X 1" Screws



Adapter Plate (included) for mounting to 3" and 4" Junction Boxes

ORDERING GUIDE: ^{Prefix} **PC** P (POWER) C (CANOPY)

□ INDICATES REQUIRED FIELD □ INDICATES OPTIONAL FIELD ✓ INCLUDED IN BASE PRICE [_] QUICK SPEC (See Below)

QUICK SPEC SKU **PC-60-1-NAT**

PC				
<p>FIXTURE ATTACHMENT *[HL] Hanging Light Ring *Must specify [1] Single Mount Plate</p>	<p>BOX SIZE [60] 3 1/2" dia. ✓ [100] 4" dia.</p>	<p>MOUNT PLATE ✓ [1] Single Hole/ One Fixture [2] Double Hole/ Two Fixtures</p>	<p>FINISH STANDARD: [NAT] Natural ✓ PLUS (\$): [BLP] Bronze Living Patina [BLP-XD] BLP Extra Dark PREMIUM (\$\$\$): [NI] Nickel PVD [BG] Black Gloss PVD [BS] Black Satin PVD [BZ] Bronze PVD [BZ-XD] Dark Bronze PVD</p>	

Note: Includes 60W 120-12V AC Electronic Transformer. Consult factory for other voltages.

FIXTURE ATTACHMENT



COMPATIBLE W/ RJB

