

# AURORALIGHT

## ARTEMIS INSTALL GUIDE

STW650108 / STW650211

### REQUIRED TOOLS:

3/32" Allen Key (Included)  
1/8" Allen Key (Included)  
Wire Cutter / Stripper

### INSTRUCTIONS:

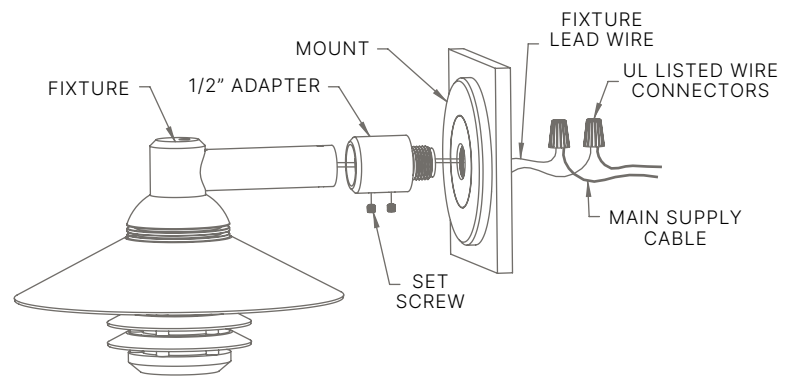
1. To prevent electrical shock, disconnect transformer from electrical supply and make sure power supply is completely off before installation. Fixtures should always be installed by a licensed electrician.
2. Secure the **mount** in the desired location.
3. Remove the 1/2" **adapter** from the tube by loosening the two **set screws** on the bottom and pulling it off (see figure).

#### If Behind the Mount is Accessible:

4. Screw the 1/2" **adapter** into the **mount** and tighten down firmly by hand.
5. Feed the **fixture lead wire** through the 1/2" **adapter** and connect to the **main supply cable** using **UL listed wire connectors** suitable for the location (see figure).
6. Slide the tube back into the 1/2" **adapter** until it fully stops and tighten down the **set screws**.

#### If Behind the Mount is not Accessible:

4. Pull the **main supply cable** through the **mount** then feed the **fixture lead wire** through the 1/2" **adapter**. Connect the wires using **UL listed wire connectors** suitable for the location.
5. Push the connectors and wires back through the **mount** then screw the 1/2" **adapter** into the **mount** and tighten down firmly by hand.
6. Slide the tube back into the 1/2" **adapter** until it fully stops and tighten down the **set screws**.



**TIP:** Small gauge cable is vulnerable to damage in the landscape; Protect by routing in close proximity to the luminaire or adjacent to concrete slab or similar structure. Do not over tighten.

P. 760.931.2910

E. techsupport@auroralight.com

O. 2742 Loker Ave. W Carlsbad CA 92010

W. www.auroralight.com

**WARNING:** Luminaire must be installed in accordance with local codes and the National Electrical Code (NEC). Failure to do so may result in serious injury and or damage to the luminaire.

**WARNING:** Risk of electric shock. Install per NEC Code 680.22(B (6), if listed low voltage luminaires are to be located near a pool, spa or fountain.