

AURORALIGHT

ARTEMIS INSTALL GUIDE

STW650108 / STW650211

REQUIRED TOOLS:

3/32" Allen Key (Included)
1/8" Allen Key (Included)
Wire Cutter / Stripper

INSTRUCTIONS:

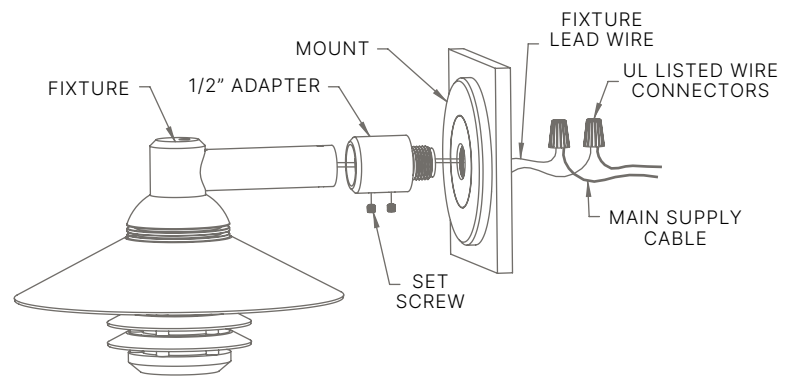
1. To prevent electrical shock, disconnect transformer from electrical supply and make sure power supply is completely off before installation. Fixtures should always be installed by a licensed electrician.
2. Secure the **mount** in the desired location.
3. Remove the 1/2" **adapter** from the tube by loosening the two **set screws** on the bottom and pulling it off (see figure).

If Behind the Mount is Accessible:

4. Screw the 1/2" **adapter** into the **mount** and tighten down firmly by hand.
5. Feed the **fixture lead wire** through the 1/2" **adapter** and connect to the **main supply cable** using **UL listed wire connectors** suitable for the location (see figure).
6. Slide the tube back into the 1/2" **adapter** until it fully stops and tighten down the **set screws**.

If Behind the Mount is not Accessible:

4. Pull the **main supply cable** through the **mount** then feed the **fixture lead wire** through the 1/2" **adapter**. Connect the wires using **UL listed wire connectors** suitable for the location.
5. Push the connectors and wires back through the **mount** then screw the 1/2" **adapter** into the **mount** and tighten down firmly by hand.
6. Slide the tube back into the 1/2" **adapter** until it fully stops and tighten down the **set screws**.



TIP: Small gauge cable is vulnerable to damage in the landscape; Protect by routing in close proximity to the luminaire or adjacent to concrete slab or similar structure. Do not over tighten.

P. 760.931.2910

E. techsupport@auroralight.com

O. 2742 Loker Ave. W Carlsbad CA 92010

W. www.auroralight.com

WARNING: Luminaire must be installed in accordance with local codes and the National Electrical Code (NEC). Failure to do so may result in serious injury and or damage to the luminaire.

WARNING: Risk of electric shock. Install per NEC Code 680.22(B (6), if listed low voltage luminaires are to be located near a pool, spa or fountain.