

AURORALIGHT

REQUIRED TOOLS:

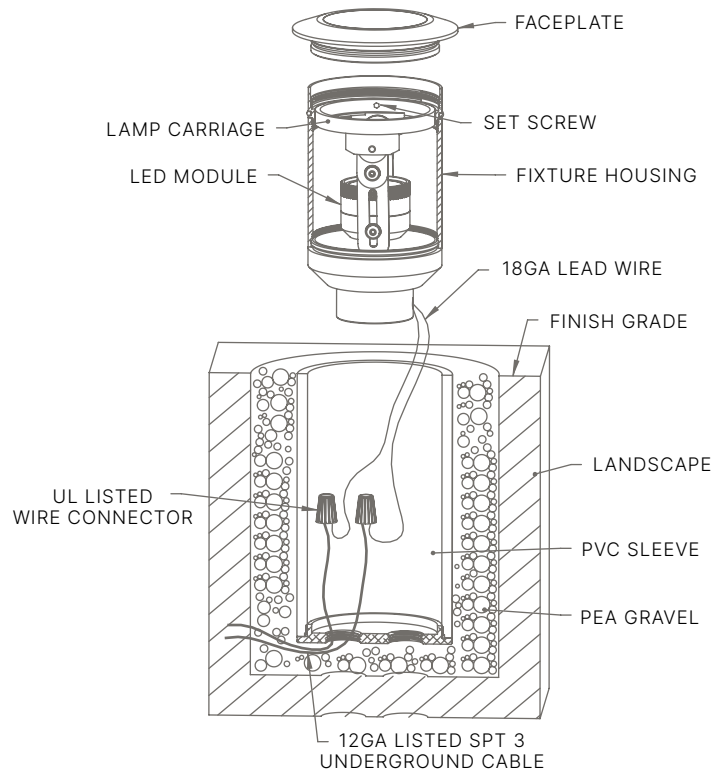
3/32 Allen Key (Included)
Wire Cutter / Stripper
Shovel

AXIS INSTALL GUIDE

IGR440104

INSTRUCTIONS:

1. To prevent electrical shock, disconnect transformer from electrical supply and make sure power supply is completely off before installation. Fixtures should always be installed by a licensed electrician.
2. Adjust the aiming of the light by unscrewing the **faceplate** and rotating the **LED module** and/or loosening the **set screw** on the **lamp carriage** to swivel. Remove from the **fixture housing** to adjust if necessary (see figure).
3. Return **faceplate** and/or **lamp carriage** when done and tighten the **set screw** (see figure).
4. Prepare a hole large enough to accommodate the **4" PVC Sleeve**, approximately 8" deep.
5. Fill the bottom of the hole with **pea gravel** for water drainage and a secure base. Lightly pack it down in the hole.
6. Feed the **12GA underground supply cable** into the **PVC Sleeve** then place it in the hole. Top of PVC should be at **finish grade** height and level. Add about 1" of **pea gravel** inside the **PVC Sleeve** (see figure).
7. Connect the **18GA lead wires** to **12GA underground supply cable** using **UL listed connectors** suitable for underground burial or wet location (see figure for configuration).
8. Neatly place excess wire and the connectors in the **PVC Sleeve** then slide the fixture in until it rests on the top of the sleeve. The fixture should be plumb and the **faceplate** at the desired height according to the surrounding **landscape** (see figure).
9. Back fill the area around the fixture with **pea gravel** and lightly pack it in/down. Fill any remaining area with soil until the **faceplate** is the only thing visible.



TIP: Small gauge cable is vulnerable to damage in the landscape; Protect by routing in close proximity to the luminaire or adjacent to concrete slab or similar structure. Do not over tighten.

WARNING: Luminaire must be installed in accordance with local codes and the National Electrical Code (NEC). Failure to do so may result in serious injury and or damage to the luminaire.

WARNING: Risk of electric shock. Install per NEC Code 680.22(B) (6), if listed low voltage luminaires are to be located near a pool, spa or fountain.

P. 760.931.2910

E. techsupport@auroralight.com

O. 2742 Loker Ave. W Carlsbad CA 92010

W. www.auroralight.com

AURORALIGHT

REQUIRED TOOLS:

Wire Cutter / Stripper

AXIS INSTALL GUIDE (Conduit)

IGR440104

INSTRUCTIONS:

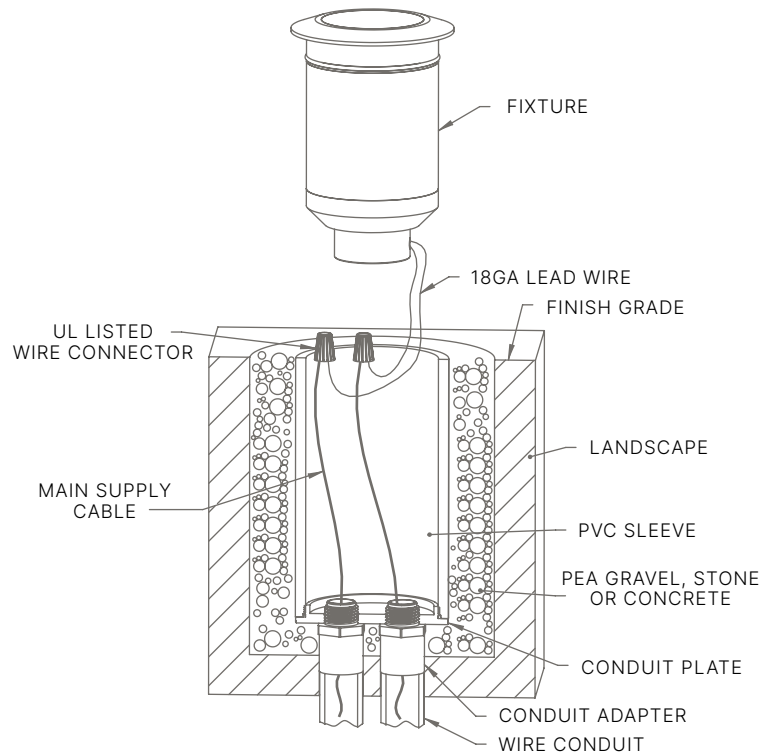
1. To prevent electrical shock, disconnect transformer from electrical supply and make sure power supply is completely off before installation. Fixtures should always be installed by a licensed electrician.
2. Install the ½" conduit adapters into the back of the Conduit Plate by removing any plugs and threading in.

For Landscape Installation:

3. Prepare a hole large enough to accommodate the 4" PVC Sleeve, approximately 8" deep.
4. Place the PVC Sleeve with Conduit Plate into the hole and attach your wire conduit (see figure).
5. Feed your main supply cable into the PVC Sleeve, leave enough excess to make a wire connection with the fixture outside of the PVC Sleeve (see figure).
6. Back fill the area around the fixture with pea gravel and lightly pack it in/down. The top of PVC Sleeve should be at finish grade level (see figure).
7. Continue to step #5 below

For Concrete Installation:

3. Secure PVC Sleeve with the Conduit Plate and connect wire conduit. Ensure it won't move during concrete pour.
4. Plug any unused holes or openings so that wet concrete doesn't enter the PVC Sleeve then pour the concrete and let it cure, trim off any protruding PVC if necessary.
5. Connect the 18GA lead wires to Main supply cable using UL listed connectors suitable for the location.
6. Neatly place excess wire and the connectors in the PVC Sleeve then slide the fixture in until it rests on the top of the sleeve.



TIP: Small gauge cable is vulnerable to damage in the landscape; Protect by routing in close proximity to the luminaire or adjacent to concrete slab or similar structure. Do not over tighten.

WARNING: Luminaire must be installed in accordance with local codes and the National Electrical Code (NEC). Failure to do so may result in serious injury and or damage to the luminaire.

WARNING: Risk of electric shock. Install per NEC Code 680.22(B) (6), if listed low voltage luminaires are to be located near a pool, spa or fountain.

P. 760.931.2910

E. techsupport@auroralight.com

O. 2742 Loker Ave. W Carlsbad CA 92010

W. www.auroralight.com