

# AURORALIGHT

## REQUIRED TOOLS:

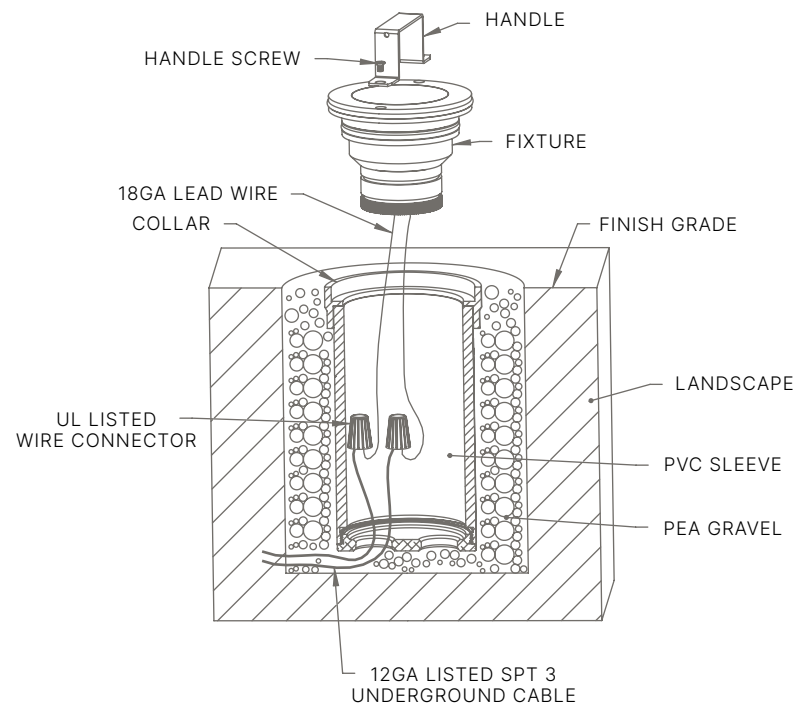
3/32 Allen Key (Included)  
Wire Cutter / Stripper  
Shovel

## CENTRO INSTALL GUIDE

IGR331203

### INSTRUCTIONS:

1. To prevent electrical shock, disconnect transformer from electrical supply and make sure power supply is completely off before installation. Fixtures should always be installed by a licensed electrician.
2. Prepare a hole large enough to accommodate the **3" PVC Sleeve**, approximately 8" deep.
3. Fill the bottom of the hole with pea gravel for water drainage and a secure base. Lightly pack it down in the hole.
4. Feed the **12GA underground supply cable** into the **PVC Sleeve** then place it in the hole. Top of **collar** should be at **finish grade** height and it should sit level.
5. Connect the **18GA lead wires** to **12GA underground supply cable** using **UL listed connectors** suitable for underground burial or wet location (see figure for configuration).
6. Neatly place excess wire and the connectors in the **PVC Sleeve** then slide the fixture into the **collar** until it stops. The fixture should be plumb and the faceplate flush with the surrounding **landscape** (see figure).
7. Back fill the area around the fixture with **pea gravel** and lightly pack it in/down. Fill any remaining area with soil until the **faceplate** is the only thing visible.
8. The **handle** is used to aid in installation and removal of the fixture from the sleeve. When finished, remove the **handle screws** and **handle**. Screw the **handle screws** into the **faceplate** and keep the **handle** elsewhere for future use.



**TIP:** Small gauge cable is vulnerable to damage in the landscape; Protect by routing in close proximity to the luminaire or adjacent to concrete slab or similar structure. Do not over tighten.

P. 760.931.2910

E. techsupport@auroralight.com

O. 2742 Loker Ave. W Carlsbad CA 92010

W. www.auroralight.com

**WARNING:** Luminaire must be installed in accordance with local codes and the National Electrical Code (NEC). Failure to do so may result in serious injury and or damage to the luminaire.

**WARNING:** Risk of electric shock. Install per NEC Code 680.22(B) (6), if listed low voltage luminaires are to be located near a pool, spa or fountain.

# AURORALIGHT

## REQUIRED TOOLS:

Wire Cutter / Stripper  
Phillips Head Screwdriver

## CENTRO INSTALL GUIDE (Conduit)

IGR331203

### INSTRUCTIONS:

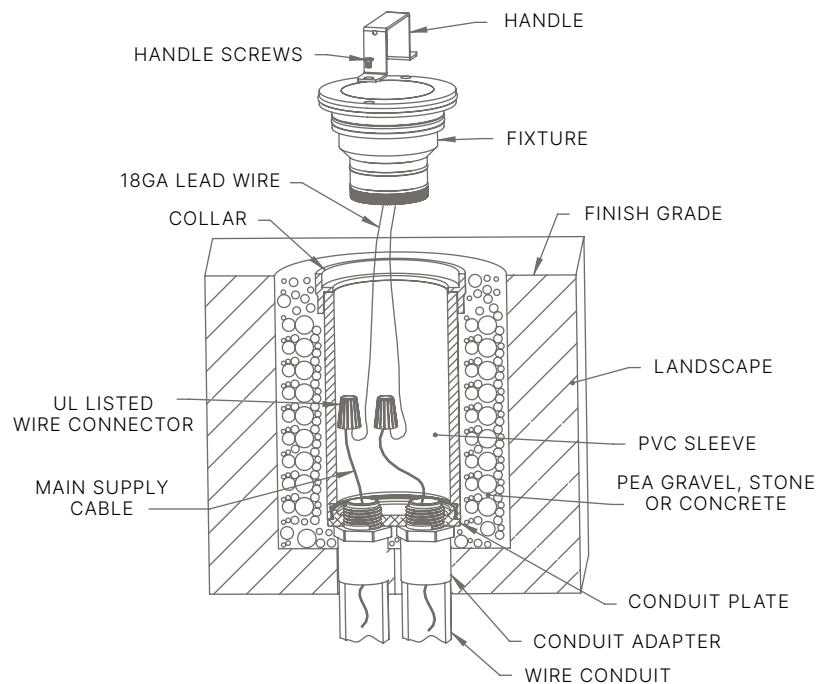
1. To prevent electrical shock, disconnect transformer from electrical supply and make sure power supply is completely off before installation. Fixtures should always be installed by a licensed electrician.
2. Install the ½" conduit adapters into the back of the Conduit Plate by removing any plugs and threading in.

### For Landscape Installation:

3. Prepare a hole large enough to accommodate the 3" PVC Sleeve, approximately 8" deep. Place the PVC Sleeve with Conduit Plate into the hole and attach your wire conduit.
4. Feed your main supply cable into the PVC Sleeve, leave enough excess to make a wire connection with the fixture outside of the PVC Sleeve (see figure).
5. Back fill the area around the fixture with pea gravel and lightly pack it in/down. The top of collar should be at finish grade level (see figure). Continue to step #5 below.

### For Concrete Installation:

3. Secure the PVC Sleeve with Conduit Plate and connect your wire conduit. Ensure it will not move during the concrete pour.
4. Plug any unused holes/openings so wet concrete doesn't enter the PVC Sleeve, then pour concrete and let it cure. The top of the collar should be flush with finish grade height (see figure).
5. Connect 18GA lead wires to Main supply cable using UL listed connectors suitable for the location. Place excess wire and connectors in the PVC Sleeve then slide the fixture into the collar until it stops. Faceplate should be the only thing visible.
6. The handle is used to aid in installation/removal of the fixture from the sleeve. When finished, remove handle screws and handle. Screw the handle screws into the faceplate and keep handle elsewhere for future use.



**TIP:** Small gauge cable is vulnerable to damage in the landscape; Protect by routing in close proximity to the luminaire or adjacent to concrete slab or similar structure. Do not over tighten.

**WARNING:** Luminaire must be installed in accordance with local codes and the National Electrical Code (NEC). Failure to do so may result in serious injury and or damage to the luminaire.

**WARNING:** Risk of electric shock. Install per NEC Code 680.22(B) (6), if listed low voltage luminaires are to be located near a pool, spa or fountain.

P. 760.931.2910

E. techsupport@auroralight.com

O. 2742 Loker Ave. W Carlsbad CA 92010

W. www.auroralight.com