

# AURORALIGHT

## REQUIRED TOOLS:

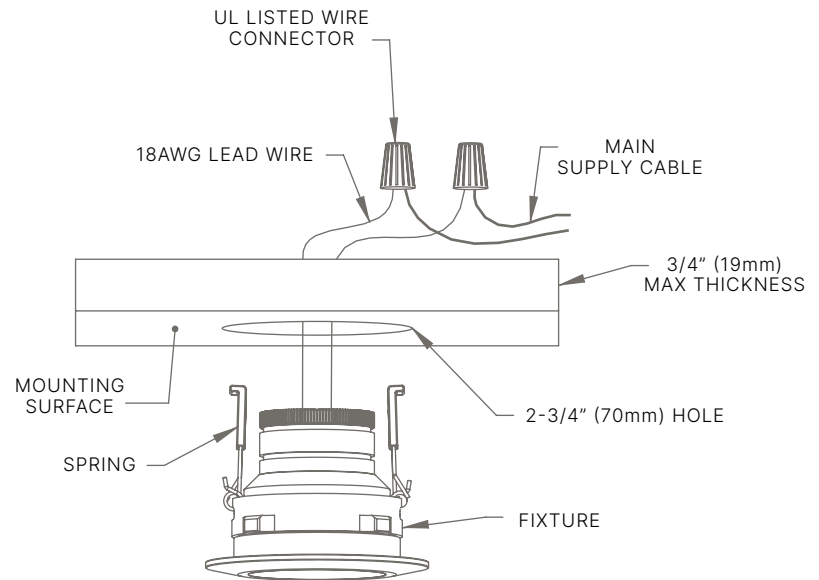
Wire Cutter / Stripper  
2-3/4" Hole Saw

## CENTRO INSTALL GUIDE

RDL331103 / RDL331203

### INSTRUCTIONS:

1. To prevent electrical shock, disconnect transformer from electrical supply and make sure power supply is completely off before installation. Fixtures should always be installed by a licensed electrician.
2. Drill a **2-3/4" hole** in the desired mounting location with a **max thickness of 3/4"** (see figure).
3. Separate the 2-conductor **18AWG lead wires** by pulling apart the ends to desired length. Strip about **1/2"** of the insulation off the ends (see figure).
4. Pull the **main supply cable** through the hole, strip insulation off ends, and connect them to the **18AWG lead wires** using **UL listed wire connectors** suited for the location. Neatly return the connected wires back into the hole (see figure).
5. Compress the **springs** on the side of the fixture by hand and slide it up into the **2-3/4" hole**. Take caution to not release the **springs** until the **fixture** is in the hole and fingers are clear of the area.
6. Apply light upward pressure to the **fixture** until it is flush with the **mounting surface** and **springs** are fully seated and holding it in place.



P. 760.931.2910

E. techsupport@auroralight.com

O. 2742 Loker Ave. W Carlsbad CA 92010

W. www.auroralight.com

**WARNING:** Luminaire must be installed in accordance with local codes and the National Electrical Code (NEC). Failure to do so may result in serious injury and or damage to the luminaire.

**WARNING:** Risk of electric shock. Install per NEC Code 680.22(B) (6), if listed low voltage luminaires are to be located near a pool, spa or fountain.