

AURORALIGHT

REQUIRED TOOLS:

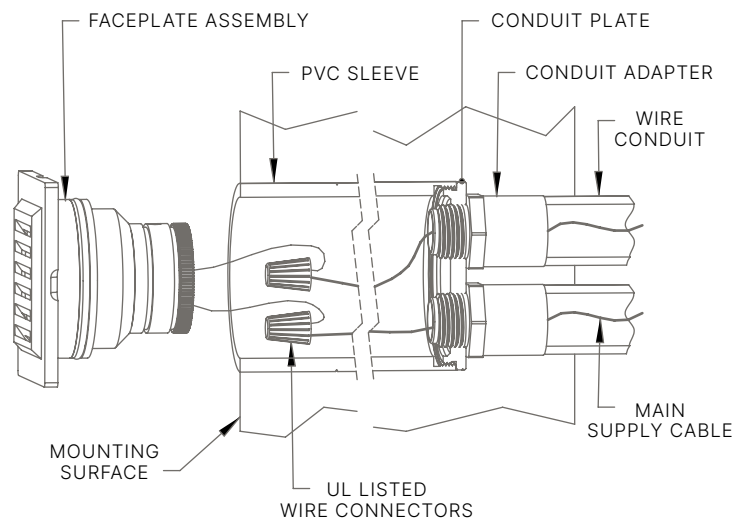
Wire Cutter / Stripper
2-7/8" or 3" Hole Saw (wood) or core drill (masonry)

CENTRO INSTALL GUIDE (Wood or Stone)

STW331103

INSTRUCTIONS:

1. To prevent electrical shock, disconnect transformer from electrical supply and make sure power supply is completely off before installation. Fixtures should always be installed by a licensed electrician.
2. Remove the **faceplate assembly** from the **PVC Sleeve** by sliding it out.
3. If installing a 1/2" conduit adapter into the back of the **PVC Sleeve**, thread them into the **conduit plate**.
4. Measure the physical product to determine the correct hole size and depth for your application (hole will be approximately 2-7/8" to 3" diameter by 6" deep). Excess PVC that is protruding from the finished surface can be trimmed down to the line indicated on the **PVC Sleeve**.
5. Pull the **main supply cable** into the **PVC Sleeve**, leave enough slack to make the wire connection outside of it.
6. Secure the **PVC Sleeve** in place with an appropriate epoxy, glue, or other method.
7. Trim any excess **PVC Sleeve** until it is flush with the finished surface level. Do not trim past the sticker/line indicated on the Sleeve.
8. Connect the 18GA lead wires to the **main supply cable** using **UL listed wire connectors** suitable for the location.
9. Neatly place the excess wire and connectors in the Sleeve and slide the **faceplate assembly** in until it stops.



TIP: Small gauge cable is vulnerable to damage in the landscape; Protect by routing in close proximity to the luminaire or adjacent to concrete slab or similar structure. Do not over tighten.

P. 760.931.2910

E. techsupport@auroralight.com

O. 2742 Loker Ave. W Carlsbad CA 92010

W. www.auroralight.com

WARNING: Luminaire must be installed in accordance with local codes and the National Electrical Code (NEC). Failure to do so may result in serious injury and or damage to the luminaire.

WARNING: Risk of electric shock. Install per NEC Code 680.22(B (6), if listed low voltage luminaires are to be located near a pool, spa or fountain.

AURORALIGHT

REQUIRED TOOLS:

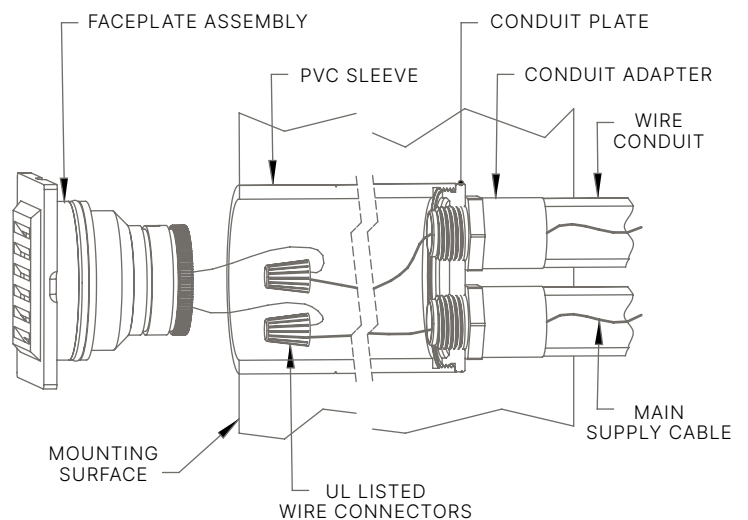
Wire Cutter / Stripper

CENTRO INSTALL GUIDE (Concrete)

STW331103

INSTRUCTIONS:

1. To prevent electrical shock, disconnect transformer from electrical supply and make sure power supply is completely off before installation. Fixtures should always be installed by a licensed electrician.
2. Install the 1/2" conduit adapters into the **conduit plate**.
3. Secure the **PVC Sleeve** to the **wire conduit** in the desired location. Ensure it is held firmly in place so it doesn't move during the concrete pour (other fastening methods may be required).
4. Excess PVC that is protruding from the finished surface can be trimmed down to the line indicated on the **PVC Sleeve**.
5. Pull the **main supply cable** into the **PVC Sleeve**, leave enough slack to make the wire connection outside of it.
6. Plug the open top of the **PVC Sleeve** and any unused holes to ensure no wet concrete enters into it during the concrete pour.
7. Pour the concrete and let it cure.
8. Trim any excess **PVC Sleeve** until it is flush with the finished surface level. Do not trim past the sticker/line indicated on the Sleeve.
9. Connect the 18GA lead wires to the **main supply cable** using **UL listed wire connectors** suitable for the location.
10. Neatly place the excess wire and connectors in the Sleeve and slide the **faceplate assembly** in until it stops.



TIP: Small gauge cable is vulnerable to damage in the landscape; Protect by routing in close proximity to the luminaire or adjacent to concrete slab or similar structure. Do not over tighten.

P. 760.931.2910

E. techsupport@auroralight.com

O. 2742 Loker Ave. W Carlsbad CA 92010

W. www.auroralight.com

WARNING: Luminaire must be installed in accordance with local codes and the National Electrical Code (NEC). Failure to do so may result in serious injury and or damage to the luminaire.

WARNING: Risk of electric shock. Install per NEC Code 680.22(B (6), if listed low voltage luminaires are to be located near a pool, spa or fountain.