

# AURORALIGHT

## REQUIRED TOOLS:

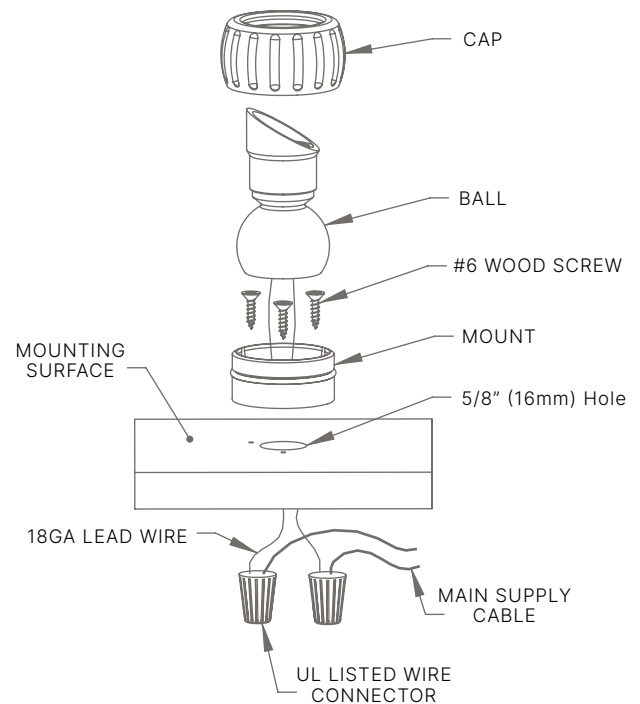
Wire Cutter / Stripper  
5/8" Drill  
Phillips head screwdriver  
1/16" Drill bit

## CYCLOPS INSTALL GUIDE

DIR060230

### INSTRUCTIONS:

1. To prevent electrical shock, disconnect transformer from electrical supply and make sure power supply is completely off before installation. Fixtures should always be installed by a licensed electrician.
2. Drill a **5/8" hole** in the desired mounting location (see figure).
3. Using the **mount** as a drill template, center it on the **5/8" hole** and make markings for the 3 **wood screw** locations. Drill 1/16" pilot holes for the **#6 wood screws** (recommended in wood and hard materials).
4. Using a Phillips head screwdriver and supplied **wood screws**, screw down the mount to the **mounting surface**.
5. Feed the **18GA lead wires** through the **mount** and hole then place the **ball** in the **mount** (see figure).
6. Slide the **cap** over the **ball** and screw it onto the **mount**. Tighten down firmly with hand.
7. Separate the 2-conductor **18GA lead wires** by pulling apart the ends to desired length. Strip about 1/2" of the insulation off the ends (see figure).
8. Connect the **18GA lead wires** to the **main supply cable** using **UL listed connectors** suitable for the mounting location (see figure for configuration).
9. To adjust light aiming, the **ball** can be swiveled around by applying sideways pressure with fingers or hand.



**TIP:** Small gauge cable is vulnerable to damage in the landscape; Protect by routing in close proximity to the luminaire or adjacent to concrete slab or similar structure. Do not bury more than 6" deep. Do not over tighten.

P. 760.931.2910

E. techsupport@auroralight.com

O. 2742 Loker Ave. W Carlsbad CA 92010

W. www.auroralight.com

**WARNING:** Luminaire must be installed in accordance with local codes and the National Electrical Code (NEC). Failure to do so may result in serious injury and or damage to the luminaire.

**WARNING:** Risk of electric shock. Install per NEC Code 680.22(B (6), if listed low voltage luminaires are to be located near a pool, spa or fountain.