

AURORALIGHT

REQUIRED TOOLS:

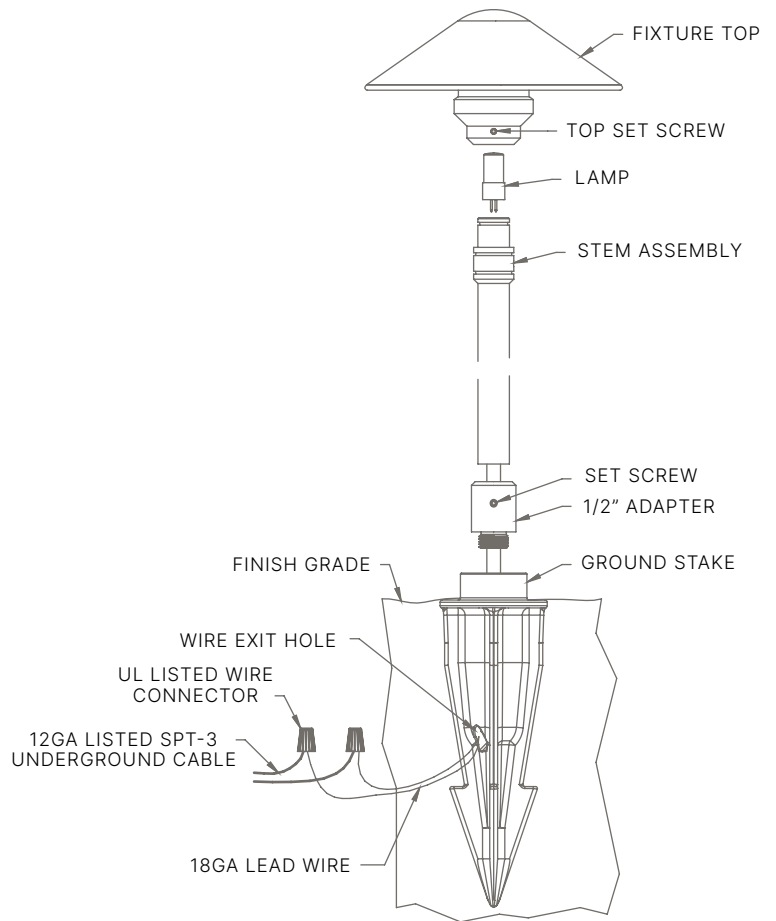
3/32 Allen Key (Included)
Heavy Mallet/Hammer
Wire Cutter / Stripper

ECLIPSE INSTALL GUIDE

PTA756107

INSTRUCTIONS:

1. To prevent electrical shock, disconnect transformer from electrical supply and make sure power supply is completely off before installation. Fixtures should always be installed by a licensed electrician.
2. Pound the **ground stake** fully into soil, stake should be plumb.
3. Loosen the **set screw** with the supplied Allen key and remove the **1/2" adapter** from the **stem assembly**. Screw the **1/2" adapter** into the **ground stake**, tighten down by hand.
4. Feed the **18GA lead wires** through the **ground stake** and out of **lead wire exit hole** (see figure).
5. Slide the **stem assembly** into the **1/2" adapter** until it fully stops. Tighten the **set screw** down to secure in place.
6. Slide the **lamp** into the **stem assembly** and rotate it until you feel the pins are lined up with the socket. Apply light downward pressure until the lamp stops to fully seat (see figure).
7. Slip the **fixture top** over the **stem assembly** and apply downward pressure until it stops to fully seat. Tighten down the **top set screw** with the supplied Allen key to secure it.
8. Separate the 2-conductor **18GA lead wires** by pulling apart the ends approximately 10". Strip about 1/2" of the insulation off the ends (see figure).
9. Connect the **18GA lead wires** to **12GA underground supply cable** using **UL listed connectors** suitable for underground burial or wet location (see figure for configuration).
10. **Underground supply cable** for power supply to this luminaire shall be **SPT-3 Underground Low Energy Cable** and listed as such (see figure).



TIP: Small gauge cable is vulnerable to damage in the landscape; Protect by routing in close proximity to the luminaire or adjacent to concrete slab or similar structure. Do not bury more than 6" deep. Do not over tighten.

WARNING: Luminaire must be installed in accordance with local codes and the National Electrical Code (NEC). Failure to do so may result in serious injury and or damage to the luminaire.

WARNING: Risk of electric shock. Install per NEC Code 680.22(B) (6), if listed low voltage luminaires are to be located near a pool, spa or fountain.

P. 760.931.2910

E. techsupport@auroralight.com

O. 2742 Loker Ave. W Carlsbad CA 92010

W. www.auroralight.com