

AURORALIGHT

LUMISTEP INSTALL GUIDE

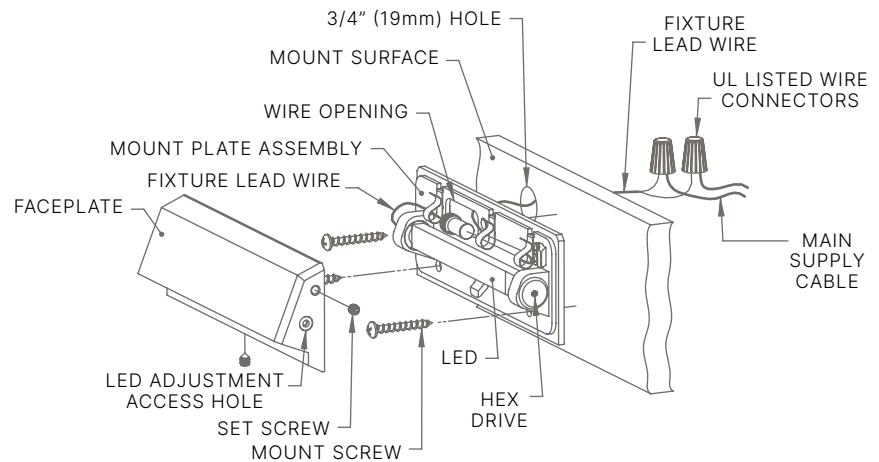
STW612106

REQUIRED TOOLS:

3/32" Allen Key (Included)
Wire Cutter / Stripper
3/4" Drill or Hole Saw
Level
Philips Head Screwdriver

INSTRUCTIONS:

1. To prevent electrical shock, disconnect transformer from electrical supply and make sure power supply is completely off before installation. Fixtures should always be installed by a licensed electrician.
2. Remove the **mount plate assembly** from the **faceplate** by loosening the 3 **set screws** on the sides and bottom (see figure).
3. Drill a **3/4" hole**, or cutout a similar size opening to run the **fixture lead wire** into the mounting substrate, in the desired location (see figure).
4. Align the **mount plate** with the hole, then use the **mount plate** as a template to mark your 3 screw hole locations. Use a level to ensure the fixture will be perfectly horizontal. The hole must not extend outside of the area covered by the gasket.
5. Screw the **mount plate** down to the **mounting surface** using the provided **mount screws** and/or anchors if mounting in stone or tile (a 3/32" pilot hole is recommended when screwing into wood).
6. Feed the **fixture lead wires** through the **wire opening** and hole, then connect them to the **main supply cable** using **UL listed wire connectors** suitable for the location (see figure).
7. Reattach the **faceplate** to the **mount plate assembly** by sliding it over and holding it down to the **mount surface** while tightening the 3 **set screws** down.
8. The angle of the **LED** can be adjusted after installation using the **LED adjustment access hole**. Slide the 3/32" Allen key through the rubber grommet on the access hole until you feel it lock into the **hex drive**. Rotate the **LED** as desired (see figure).



TIP: Small gauge cable is vulnerable to damage in the landscape; Protect by routing in close proximity to the luminaire or adjacent to concrete slab or similar structure. Do not over tighten.

P. 760.931.2910

E. techsupport@auroralight.com

O. 2742 Loker Ave. W Carlsbad CA 92010

W. www.auroralight.com

WARNING: Luminaire must be installed in accordance with local codes and the National Electrical Code (NEC). Failure to do so may result in serious injury and or damage to the luminaire.

WARNING: Risk of electric shock. Install per NEC Code 680.22(B) (6), if listed low voltage luminaires are to be located near a pool, spa or fountain.