

# AURORALIGHT

## REQUIRED TOOLS:

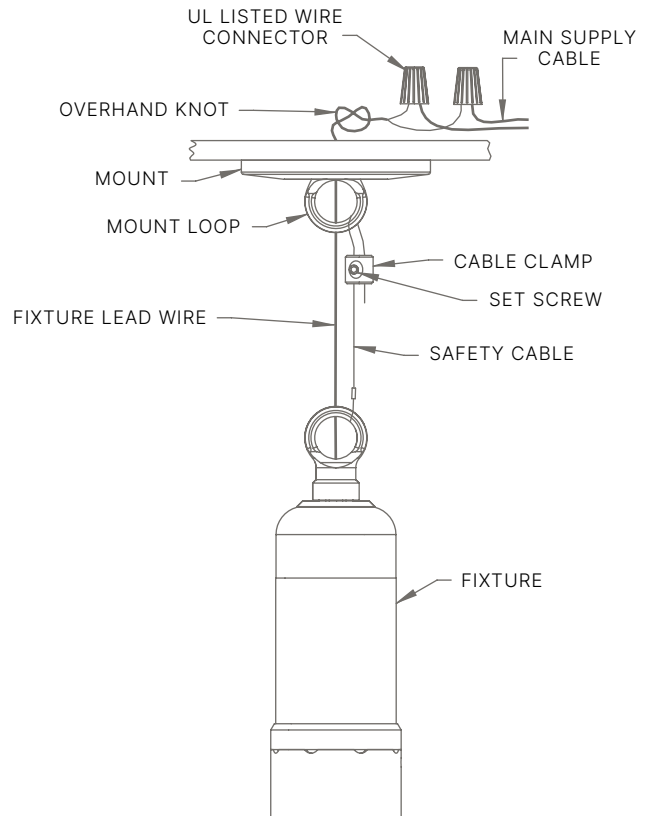
3/32 Allen Key (Included)  
Wire Cutter / Stripper

## MARINER INSTALL GUIDE

HPD0161590000 / HPD0162510000 / HPD0163590000

### INSTRUCTIONS:

1. To prevent electrical shock, disconnect transformer from electrical supply and make sure power supply is completely off before installation. Fixtures should always be installed by a licensed electrician.
2. Secure the **mount** in the desired location and thread in the **mount loop** (see figure).
3. Loop the **safety cable** through the **mount loop** and feed it back through the **cable clamp** with about a 1" tail protruding from the other side (see figure).
4. Tighten the **set screw** down thoroughly on the **safety cable** using the provided Allen key and ensure it will not easily slip through the **cable clamp**.
5. Feed the **fixture lead wire** through the **mount loop**. If accessible, tie the **fixture lead wire** into an **overhand knot** to reduce strain on the wire connections (see figure).
6. Strip the outer insulation off the end of the 2-conductor **fixture lead wire** to separate them, then strip about ¼" of insulation off each conductor.
7. Connect the **fixture lead wire** to the **main supply cable** using **UL listed wire connectors** suitable for the location.
8. Secure all electrical wiring in a neat manner in a desired area.



P. 760.931.2910

E. techsupport@auroralight.com

O. 2742 Loker Ave. W Carlsbad CA 92010

W. www.auroralight.com

**WARNING:** Luminaire must be installed in accordance with local codes and the National Electrical Code (NEC). Failure to do so may result in serious injury and or damage to the luminaire.

**WARNING:** Risk of electric shock. Install per NEC Code 680.22(B) (6), if listed low voltage luminaires are to be located near a pool, spa or fountain.

# AURORALIGHT

## REQUIRED TOOLS:

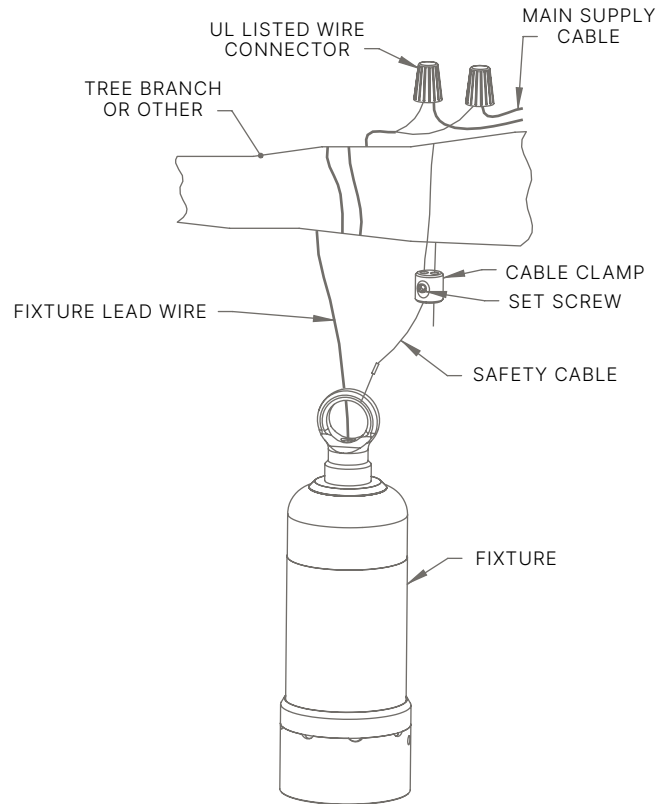
3/32 Allen Key (Included)  
Wire Cutter / Stripper

## MARINER INSTALL GUIDE (Tree mount)

HPD0161590000 / HPD0162510000 / HPD0163590000

### INSTRUCTIONS:

1. To prevent electrical shock, disconnect transformer from electrical supply and make sure power supply is completely off before installation. Fixtures should always be installed by a licensed electrician.
2. Secure the **fixture lead wire** around a **tree branch or other** desired location by wrapping it several times or fastening it in a manner that will not cause damage to the wire (see figure).
3. Loop the **safety cable** around a secure location and feed it back through the **cable clamp** with about a 1" tail protruding from the other side (see figure).
4. Tighten the **set screw** down thoroughly on the **safety cable** using the provided Allen key and ensure it will not easily slip through the **cable clamp**.
5. Strip the outer insulation off the end of the 2-conductor **fixture lead wire** to separate them, then strip about 1/4" of insulation off each conductor.
6. Connect the **fixture lead wire** to the **main supply cable** using **UL listed wire connectors** suitable for wet locations.
7. Secure all electrical wiring in a neat manner in a desired area.



P. 760.931.2910

E. techsupport@auroralight.com

O. 2742 Loker Ave. W Carlsbad CA 92010

W. www.auroralight.com

**WARNING:** Luminaire must be installed in accordance with local codes and the National Electrical Code (NEC). Failure to do so may result in serious injury and or damage to the luminaire.

**WARNING:** Risk of electric shock. Install per NEC Code 680.22(B (6), if listed low voltage luminaires are to be located near a pool, spa or fountain.