

# AURORALIGHT

## REQUIRED TOOLS:

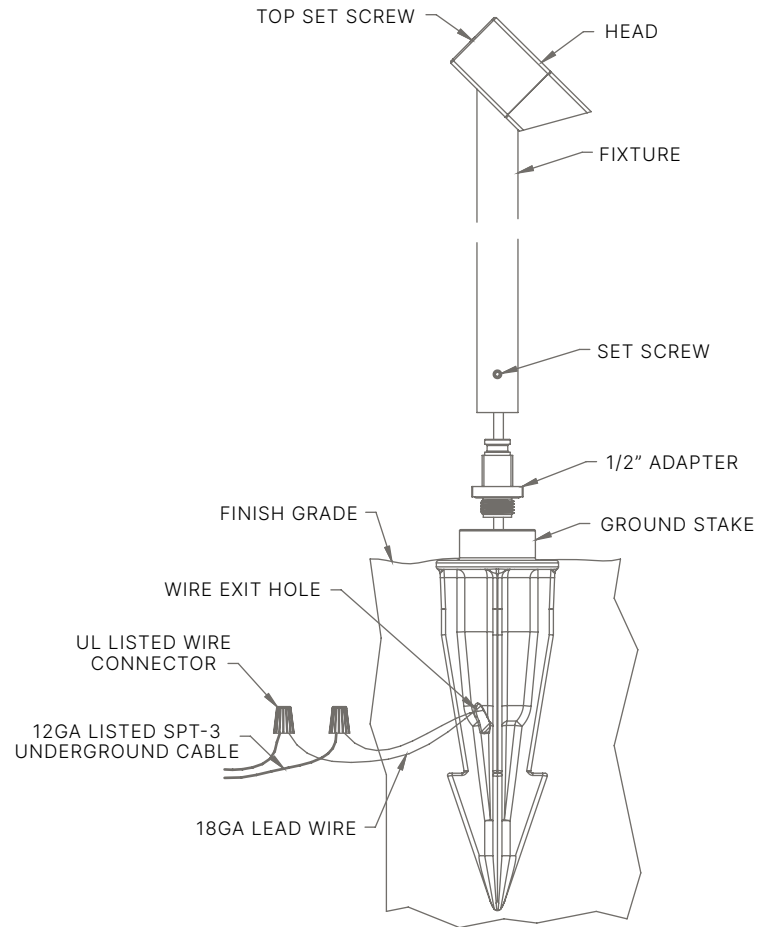
3/32 Allen Key (Included)  
Heavy Mallet/Hammer  
Wire Cutter / Stripper  
Adjustable Wrench - 1.25" Capacity

## QUBE INSTALL GUIDE

PTA775103 / PTA775205

### INSTRUCTIONS:

1. To prevent electrical shock, disconnect transformer from electrical supply and make sure power supply is completely off before installation. Fixtures should always be installed by a licensed electrician.
2. Pound the **ground stake** fully into soil, stake should be plumb.
3. Loosen the **set screw** with the supplied Allen key and remove the **1/2" adapter** from the light **fixture**. Thread it into the **ground stake** and tighten it down with an adjustable wrench. Do not over tighten.
4. Feed the **18GA lead wires** through the **ground stake** and out of **lead wire exit hole** (see figure).
5. Slip the light fixture over the **1/2" adapter** (see figure).
6. Separate the 2-conductor **18GA lead wires** by pulling apart the ends approximately 10". Strip about **1/2"** of the insulation off the ends (see figure).
7. Connect the **18GA lead wires** to **12GA underground supply cable** using **UL listed connectors** suitable for underground burial or wet location (see figure for configuration).
8. **Underground supply cable** for power supply to this luminaire shall be **SPT-3 Underground Low Energy Cable** and listed as such (see figure).
9. To adjust light orientation, rotate the light **fixture** on the **1/2" adapter** as desired. Tighten the **set screw** down when finished.
10. To adjust the light angle, loosen the **top set screw** and rotate the **head** to the desired angle. Tighten the **top set screw** down when finished.



**TIP:** Small gauge cable is vulnerable to damage in the landscape; Protect by routing in close proximity to the luminaire or adjacent to concrete slab or similar structure. Do not bury more than 6" deep. Do not over tighten.

P. 760.931.2910

E. techsupport@auroralight.com

O. 2742 Loker Ave. W Carlsbad CA 92010

W. www.auroralight.com

**WARNING:** Luminaire must be installed in accordance with local codes and the National Electrical Code (NEC). Failure to do so may result in serious injury and or damage to the luminaire.

**WARNING:** Risk of electric shock. Install per NEC Code 680.22(B) (6), if listed low voltage luminaires are to be located near a pool, spa or fountain.