

AURORALIGHT

QUBE INSTALL GUIDE

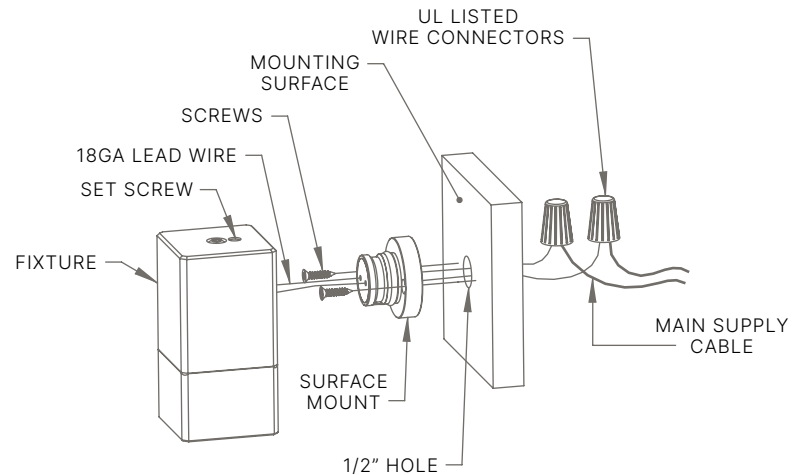
STW775140 / STW775240

REQUIRED TOOLS:

3/32" Allen Key (Included)
Wire Cutter / Stripper
Philips Head Screwdriver
1/2" Drill Bit

INSTRUCTIONS:

1. To prevent electrical shock, disconnect transformer from electrical supply and make sure power supply is completely off before installation. Fixtures should always be installed by a licensed electrician.
2. Drill a **1/2" hole** in the desired mounting location (see figure).
3. Center the **surface mount** on the hole and screw it down in place using the provided **screws** and/or anchors if mounting in stone or tile (a 3/32" pilot hole is recommended when screwing into wood).
4. Feed the **18GA lead wires** through the **surface mount** and hole then connect them to the **main supply cable** using **UL listed wire connectors** suitable for the location (see figure).
5. Slide the **fixture** over the **surface mount** and apply firm pressure until it stops. The **fixture** should be about 1/8" off the **mounting surface** when fully seated.
6. To adjust aiming, rotate the **fixture** around on the **surface mount**. When finished, tighten down the **set screw** to secure it in place (see figure).



TIP: Small gauge cable is vulnerable to damage in the landscape; Protect by routing in close proximity to the luminaire or adjacent to concrete slab or similar structure. Do not over tighten.

P. 760.931.2910

E. techsupport@auroralight.com

O. 2742 Loker Ave. W Carlsbad CA 92010

W. www.auroralight.com

WARNING: Luminaire must be installed in accordance with local codes and the National Electrical Code (NEC). Failure to do so may result in serious injury and or damage to the luminaire.

WARNING: Risk of electric shock. Install per NEC Code 680.22(B (6), if listed low voltage luminaires are to be located near a pool, spa or fountain.