

# AURORALIGHT

## QUBE INSTALL GUIDE

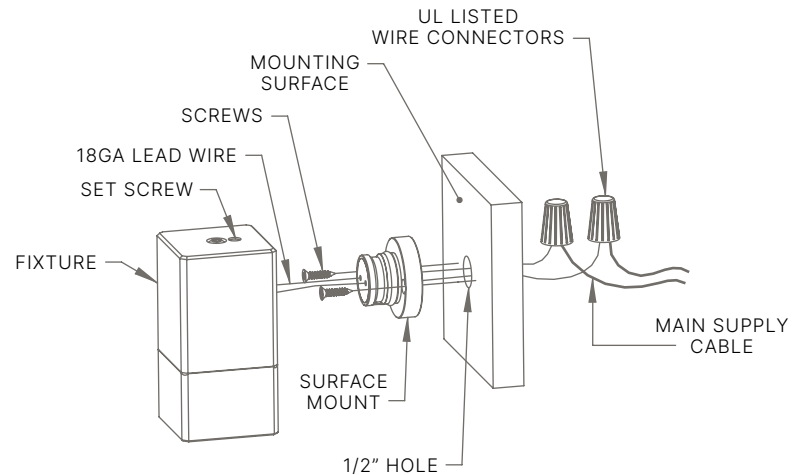
STW775140 / STW775240

### REQUIRED TOOLS:

3/32" Allen Key (Included)  
Wire Cutter / Stripper  
Philips Head Screwdriver  
1/2" Drill Bit

### INSTRUCTIONS:

1. To prevent electrical shock, disconnect transformer from electrical supply and make sure power supply is completely off before installation. Fixtures should always be installed by a licensed electrician.
2. Drill a **1/2" hole** in the desired mounting location (see figure).
3. Center the **surface mount** on the hole and screw it down in place using the provided **screws** and/or anchors if mounting in stone or tile (a 3/32" pilot hole is recommended when screwing into wood).
4. Feed the **18GA lead wires** through the **surface mount** and hole then connect them to the **main supply cable** using **UL listed wire connectors** suitable for the location (see figure).
5. Slide the **fixture** over the **surface mount** and apply firm pressure until it stops. The **fixture** should be about 1/8" off the **mounting surface** when fully seated.
6. To adjust aiming, rotate the **fixture** around on the **surface mount**. When finished, tighten down the **set screw** to secure it in place (see figure).



**TIP:** Small gauge cable is vulnerable to damage in the landscape; Protect by routing in close proximity to the luminaire or adjacent to concrete slab or similar structure. Do not over tighten.

P. 760.931.2910

E. techsupport@auroralight.com

O. 2742 Loker Ave. W Carlsbad CA 92010

W. www.auroralight.com

**WARNING:** Luminaire must be installed in accordance with local codes and the National Electrical Code (NEC). Failure to do so may result in serious injury and or damage to the luminaire.

**WARNING:** Risk of electric shock. Install per NEC Code 680.22(B (6), if listed low voltage luminaires are to be located near a pool, spa or fountain.