

# AURORALIGHT

## SITKA INSTALL GUIDE

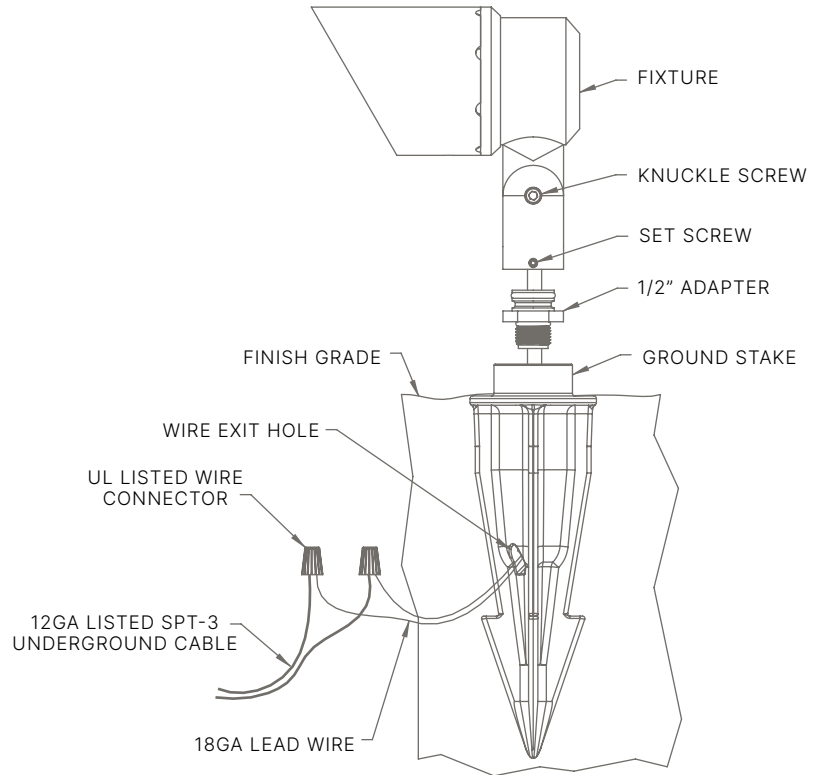
DIR400189 / DIR400289 / DIR400379 / DIR400479

### REQUIRED TOOLS:

3/32 Allen Key (Included)  
5/32 Allen Key (Included)  
3/16 Allen Key (Included)  
Heavy Mallet/Hammer  
Wire Cutter / Stripper  
Adjustable Wrench - 1.25" Capacity

### INSTRUCTIONS:

1. To prevent electrical shock, disconnect transformer from electrical supply and make sure power supply is completely off before installation. Fixtures should always be installed by a licensed electrician.
2. Pound the **ground stake** fully into soil, stake should be plumb.
3. Loosen the set screw with the supplied Allen key and remove the **1/2" adapter** from the Light fixture. Thread it into the **ground stake** and tighten it down with an adjustable wrench. Do not over tighten.
4. Feed the **18GA lead wires** through the **ground stake** and out of lead wire exit hole (see figure).
5. Slip the light fixture over the **1/2" adapter** (see figure).
6. Separate the 2-conductor **18GA lead wires** by pulling apart the ends approximately 10". Strip about **1/2"** of the insulation off the ends (see figure).
7. Connect the **18GA lead wires** to **12GA underground supply cable** using **UL listed connectors** suitable for underground burial or wet location (see figure for configuration).
8. Underground supply cable for power supply to this luminaire shall be **SPT-3 Underground Low Energy Cable** and listed as such (see figure).
9. To adjust light aiming, loosen the **knuckle adjustment screw** with the supplied Allen key. Rotate the Light Fixture at the knuckle as desired. Rotate Light Fixture on the **1/2" adapter** as desired. Tighten the **knuckle adjustment screw** and **Set Screw** back down when finished.



**TIP:** Small gauge cable is vulnerable to damage in the landscape; Protect by routing in close proximity to the luminaire or adjacent to concrete slab or similar structure. Do not bury more than 6" deep. Do not over tighten.

**WARNING:** Luminaire must be installed in accordance with local codes and the National Electrical Code (NEC). Failure to do so may result in serious injury and or damage to the luminaire.

**WARNING:** Risk of electric shock. Install per NEC Code 680.22(B) (6), if listed low voltage luminaires are to be located near a pool, spa or fountain.

P. 760.931.2910

E. techsupport@auroralight.com

O. 2742 Loker Ave. W Carlsbad CA 92010

W. www.auroralight.com